



Brian Scaddan

WIRING SYSTEMS & FAULT FINDING

Third edition

for
**INSTALLATION
ELECTRICIANS**

Wiring Systems and Fault Finding for Installation Electricians

To my son, Stephen

Wiring Systems and Fault Finding for Installation Electricians

Third edition

Brian Scaddan



Newnes

OXFORD AMSTERDAM BOSTON LONDON NEW YORK PARIS
SAN DIEGO SAN FRANCISCO SINGAPORE SYDNEY TOKYO

Newnes
An imprint of Elsevier
Linacre House, Jordan Hill, Oxford OX2 8DP
200 Wheeler Road, Burlington, MA 01803

First published 1991
Second edition 1998
Third edition 2003

Copyright © Brian Scaddan 1991, 1998, 2003. All rights reserved

The right of Brian Scaddan to be identified as the author of this work has been asserted in accordance with the Copyright, Designs and Patents Act 1988

No part of this publication may be reproduced in any material form (including photocopying or storing in any medium by electronic means and whether or not transiently or incidentally to some other use of this publication) without the written permission of the copyright holder except in accordance with the provisions of the Copyright, Designs and Patents Act 1988 or under the terms of a licence issued by the Copyright Licensing Agency Ltd, 90 Tottenham Court Road, London, England W1T 4LP. Applications for the copyright holder's written permission to reproduce any part of this publication should be addressed to the publishers

British Library Cataloguing in Publication Data

A catalogue record for this book is available from the British Library

ISBN 0 7506 5923 8

For more information on all Newnes publications visit our website at newnespress.com
--

Typeset by Replika Press Pvt Ltd, India
Printed and bound in Great Britain

Contents

Preface vii

1 Diagrams	1
BS EN 60617 symbols	1
Diagrams	5
Circuit convention	8
Constructing and interpreting circuit diagrams	10
Heating and ventilation system	13
Relay logic	15
Programmable logic controllers	18
Drawing exercises	22
2 Wiring systems	24
Radial systems	24
Ring circuits	24
Distribution systems	27
Emergency lighting systems	33
Security and fire alarm systems	34
Call systems	41
Motor starter circuits	44
Central heating systems	46
Extra low voltage lighting	50
Domestic telephone systems	53

Contents

3 Testing and test instruments	56
Measurement of electrical quantities	56
Selection of test instruments	56
Approved test lamps and indicators	57
Accidental RCD operation	58
Calibration, zeroing and care of instruments	58
Continuity of protective conductors	60
Continuity of ring final circuit conductors	63
Insulation resistance	69
Polarity	71
Earth fault loop impedance	73
Earth electrode resistance	77
Functional testing	81
Prospective short circuit current	83
4 Fault finding	85
Signs and symptoms	85
Ring and radial socket outlet circuits	87
Radial circuits feeding fixed equipment	88
Cable fault location	88
Emergency lighting	90
Security and fire alarm systems	91
Call systems	91
Central heating systems	92
Motor starter circuits	93
Conclusion – and a cautionary tale	96

Appendix: Shock risk, safe isolation and basic electrical theory 98

Solutions 111

Index 115

Preface

The aim of this book is to help the reader to approach the drawing and interpretation of electrical diagrams with confidence, to understand the principles of testing and to apply this knowledge to fault finding in electrical circuits.

The abundant diagrams with associated comments and explanations lead from the basic symbols and simple circuit and wiring diagrams, through more complex circuitry, to specific types of wiring systems and, finally, to the methodical approach to fault finding.

1 *Diagrams*


BS EN 60617 symbols

BS EN 60617 gives the graphical symbols that should be used in all electrical/electronic diagrams or drawings. Since the symbols fall in line with the International Electrotechnical Commission (IEC) document 617, it should be possible to interpret non-UK diagrams. Samples of the symbols used in this book are shown in Figure 1.

Kind of current and voltage	
—	Direct current
~	Alternating current
+	Positive polarity
-	Negative polarity
Mechanical controls	
-----	Mechanical coupling


Figure 1 *BS EN 60617 symbols (continues on pages 2, 3 and 4)*

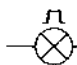
Earth and frame connections


 Earth or ground, general symbol

 Frame, chassis


Lamps and signalling devices


 Signal lamp, general symbol


 Signal lamp, flashing type

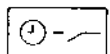
 Indicator, electromechanical

 Bell


 Single-stroke bell

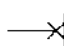
 Buzzer


 Push-button with restricted access (glass cover etc.)

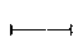
 Time switch

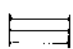
Lighting

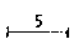
 Lighting outlet position, shown with wiring


 Lighting outlet on wall, shown with wiring running to the left

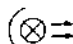
 Lamp, general symbol

 Luminaire, fluorescent, general symbol


 With three fluorescent tubes


 With five fluorescent tubes

 Projector, general symbol


 Spotlight

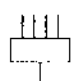
 Floodlight


 Emergency lighting luminaire on special circuit

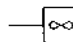
 Self-contained emergency lighting luminaire

Miscellaneous

 Antenna

 Distribution centre, shown with five conduits

 Water heater, shown with wiring

 Fan, shown with wiring

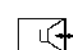
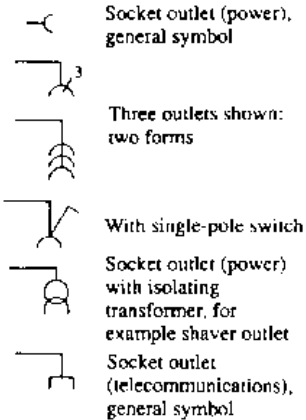
 Intercommunication instrument

Figure 1 (continued)

Architectural and topographical installation plans and diagrams

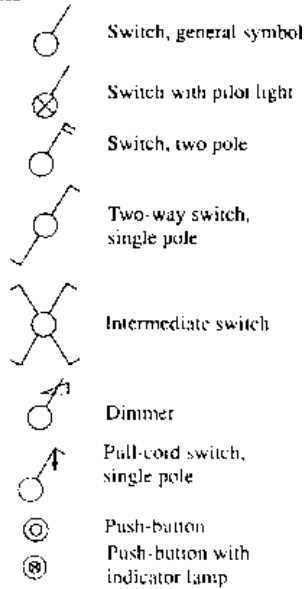
Socket outlets



Designations are used to distinguish different types of outlet:

- | | |
|-----------------|---------------------------|
| TP = telephone | FM = frequency modulation |
| M = microphone | |
| ☐ = loudspeaker | TV = television |
| | TX = telex |

Switches



Switchgear, control gear and protective devices

Contacts

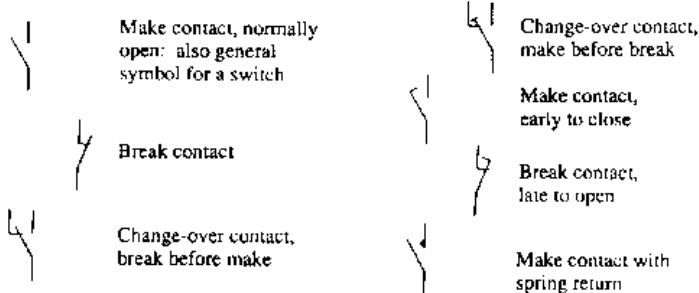


Figure 1 (continued)

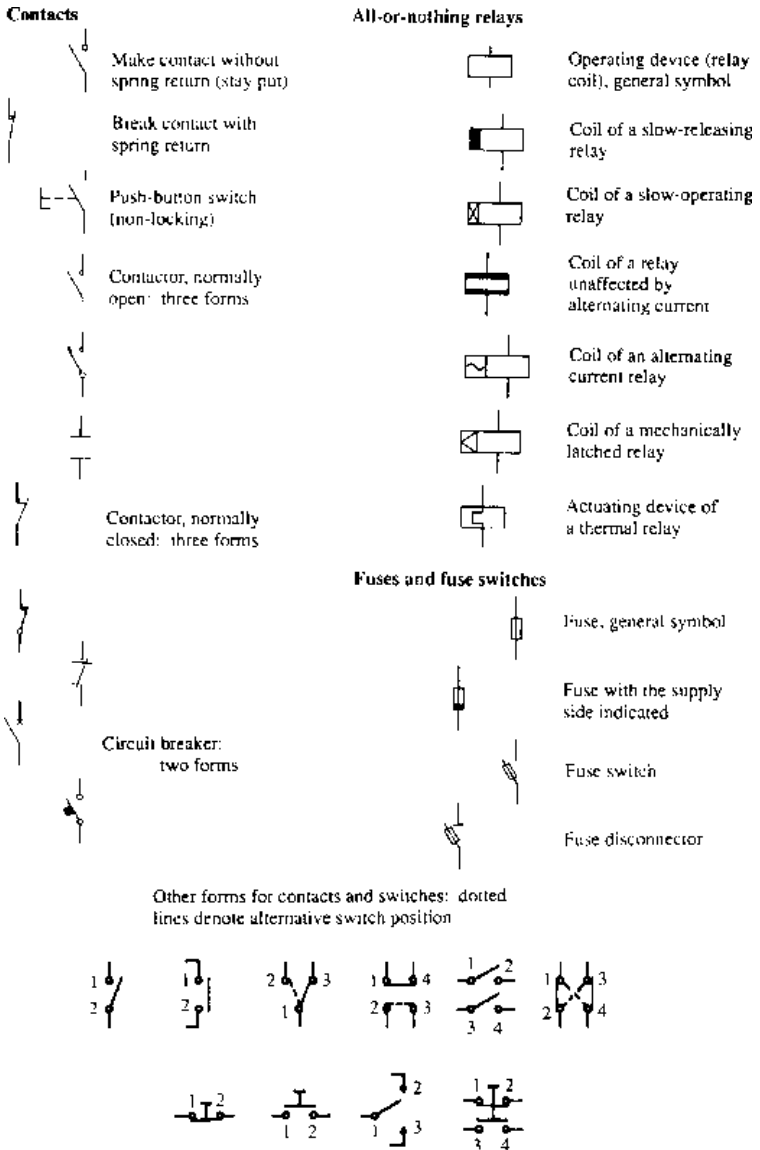


Figure 1 (continued)

Diagrams

The four most commonly used diagrams are the block diagram, interconnection diagram, the circuit or schematic diagram and the wiring or connection diagram.

Block diagrams

These diagrams indicate, by means of block symbols with suitable notes, the general way in which a system functions. They do not show detailed connections (Figure 2a and b).

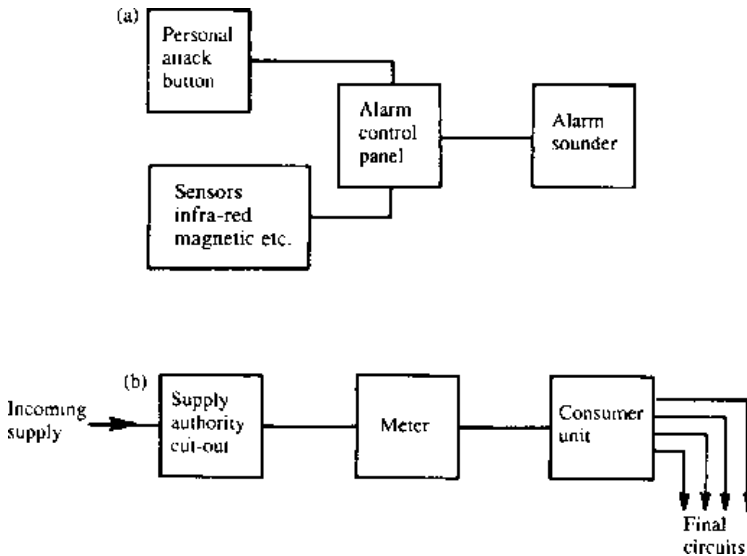


Figure 2 (a) Security system. (b) Intake arrangement for domestic installation

Interconnection diagrams

In this case, items of equipment may be shown in block form but with details of how the items are connected together (Figure 3).

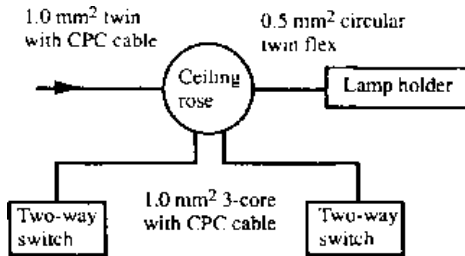


Figure 3 *Two-way lighting system*

Circuit or schematic diagrams

These diagrams show how a system works, and need pay no attention to the actual geographical layout of components or parts of components in that system. For example, a pair of contacts which form part of, say, a timer, may appear in a different and quite remote part of the diagram than the timer operating coil that actuates them. In this case some form of cross reference scheme is needed, e.g. T for the timer coil and T1, T2, T3 etc. for the associated contacts.

It is usual for the sequence of events occurring in a system to be shown on a circuit diagram from left to right or from top to bottom. For example, in Figure 4, nothing can operate until the main switch is closed, at which time the signal lamp comes on via the closed contacts of the push-button. When the push is operated the lamp goes out and the bell is energized via the push-button's top pair of contacts.

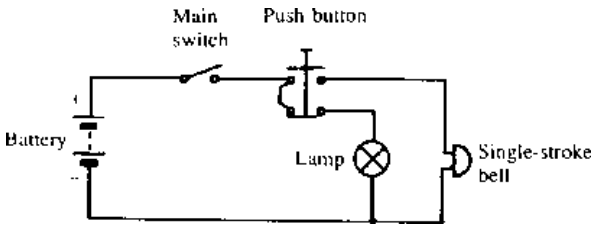


Figure 4

Wiring or connection diagrams

Here the diagrams show how a circuit is to be actually wired. Whenever possible, especially in the case of control panels, they should show components in their correct geographical locations.

The wiring between terminals may be shown individually on simple diagrams, but with complicated systems such wiring is shown in the form of thick lines with the terminating ends entering and leaving just as if the wiring were arranged in looms. Clearly, Figure 5a and b are the wiring diagrams associated with the circuit shown in Figure 4. Although Figure 5a would be simple to wire without reference to the circuit diagram, Figure 5b would present a problem as it is shown if Figure 4 were not available.

In either case an alphanumeric (A1, GY56, f7 etc.) reference system is highly desirable, not only for ease of initial wiring, but also for fault location or the addition of circuitry at a later date. Both circuit and wiring diagrams should be cross-referenced with such a system (Figure 6a to c).

Note how, in Figure 6c, each termination is referenced with the destination of the conductor connected to it. Also note how much more easily a circuit diagram makes the interpretation of the circuits function.

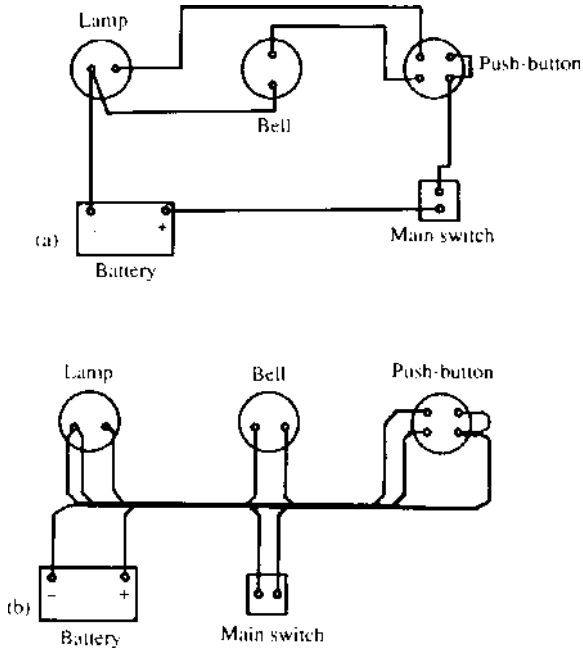


Figure 5

Circuit convention

It is probably sensible at this point to introduce the reader to circuit convention. This is simply a way of ensuring that circuit diagrams are more easily interpreted, and is achieved by drawing such diagrams in a de-energized state known as *normal*.

Hence, if we take a new motor starter out of its box, all of the coils, timers, overloads and contacts are said to be in their normal position. Figure 7a to d illustrate this convention as applied to relays and contactors.

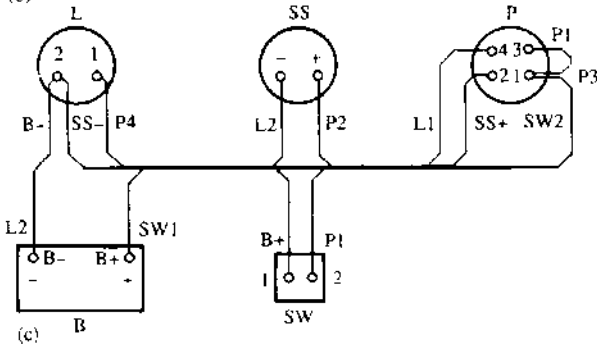
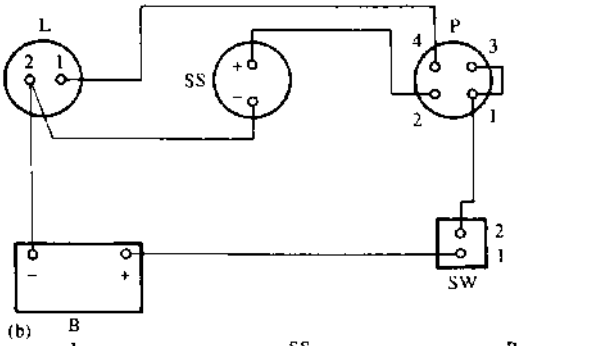
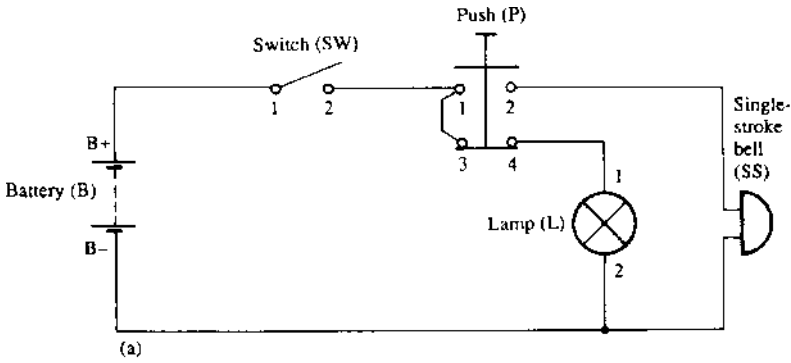


Figure 6

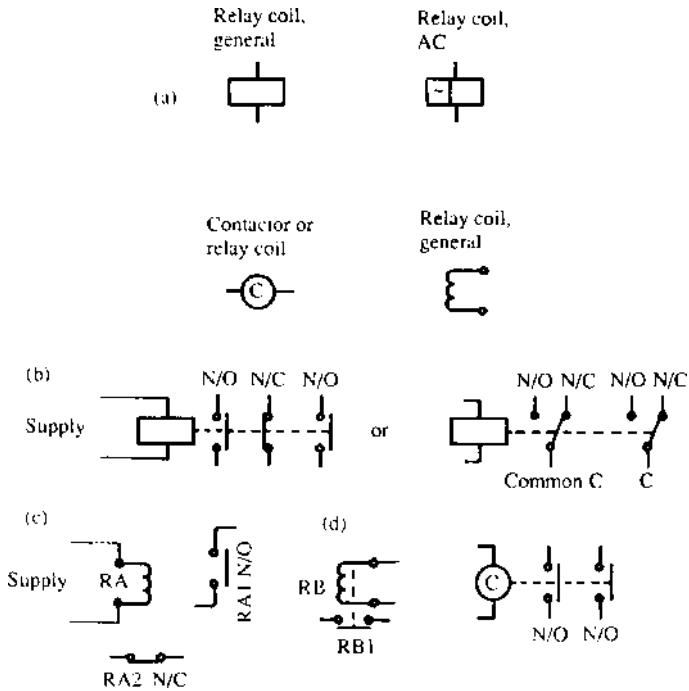


Figure 7 *Contactor and relay conventions*

Note that, provided diagrams follow this accepted convention, it is unnecessary to label contacts normally open (N/O) or normally closed (N/C).

Constructing and interpreting circuit diagrams

In order to construct or interpret a circuit/schematic diagram of the controls of a particular system, it is necessary to understand, in broad principles, how the system functions. A logical approach is

needed, and it may take the novice some while before all ‘clicks’ into place.

Here is an example to consider.

Electronic valet

You work hard every day and return home late every evening. When you come in you look forward to a smooth scotch, a sit down and then a relaxing soak in a hot bath. If you were acquainted with electrical control systems you could arrange for the little luxuries to be automated as shown in Figure 8.

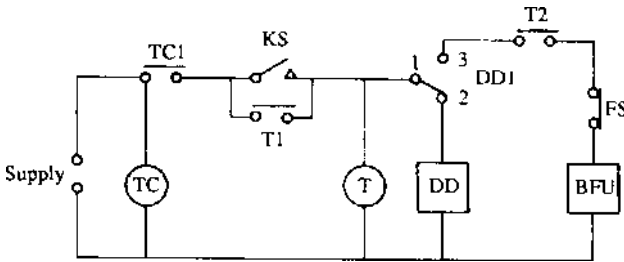


Figure 8

The system components are as follows:

- TC typical 24 hour time clock: TC1 is set to close at 2100 hours.
- KS Key switch operated by front door key: Momentary action, contacts open when key is removed.
- T Timer which can be set to close and open contacts T1 and T2 as required.
- DD Drinks dispenser with a sprung platform on which the glass sits. When energized, DD will dispense a drink into the glass. When the glass is removed, the platform springs up closing contacts 1 and 3 on DD1.

- DD1 Changeover contacts associated with DD.
- FS Normally closed float switch, which opens when the correct bath water level is reached.
- BFU Bath filling unit: Electrically operated hot water valve.

Let us now follow the system through:

1. At 9.00 p.m. or 2100 hours the N/O contact TC1 on the time clock TC closes, giving supply to one side of the key switch and to the timer contact T1.
2. You arrive home and open the door with the key, which closes the N/O spring-return contacts on KS, thus energizing the timer T. The drinks dispenser DD is also energized via its own N/C contacts DD1 (1 and 2).
3. The timer T (now energized) instantly causes its own N/O contacts T1 to close, allowing supply to be maintained to T and DD via T1 (this is called a 'hold-on' circuit) when the key is removed from the key switch KS. N/O timer contacts T2 are set to close in say, 10 minutes. By the time you reach the lounge DD has poured your scotch.
4. When you remove the glass from the dispenser, DD1 contacts 1 and 2 open, and 1 and 2 close, de-energizing the dispenser and putting a supply to one side of the 10 minute timed contacts T2.
5. You can now sit down, relax, and enjoy your drink, knowing that shortly, contacts T2 will close and energize the bath filling unit BFU via the N/C float switch FS.
6. When the bath level is correct, the float switch FS opens and de-energizes BFU. You can now enjoy your bath.
7. One hour, say, after arriving home, the timer T will have completed its full cycle and reset, opening T1 and T2 and thus restoring the whole system to normal.

This system is, of course, very crude. It will work but needs some refinement. What if you arrive home early – surely you need not stay dirty and thirsty? How do you take a bath during the day without

using the door key and having a drink? What about the bath water temperature? and so on. If you have already begun to think along these lines and can come up with simple solutions, then circuit/schematic diagrams should present no real problems to you.

Quiz controller

Here is another system to consider. Can you draw a circuit/schematic diagram for it? (A solution is given at the end of the book.)

The system function is as follows:

1. Three contestants take part in a quiz show. Each has a push-to-make button and an indicator lamp.
2. The quizmaster has a reset button that returns the system to normal.
3. When a contestant pushes his/her button, the corresponding lamp is lit and stays lit. The other contestants' lamps will not light.
4. The items of equipment are: a source of supply; a reset button (push-to-break); three push-to-make buttons; three relays each with 1 N/O and 2 N/C contacts; and three signal lamps.

The resulting diagram is a good illustration of the use of an alphanumeric system to show relay coils remote from their associated contacts.

Heating and ventilation system

Figure 9 is part of a much larger schematic of the controls for the heating and ventilation system in a large hotel.

From the diagram it is relatively simple to trace the series of events that occur in this section of the system.

Clearly there are four pumps: two boiler pumps and two variable

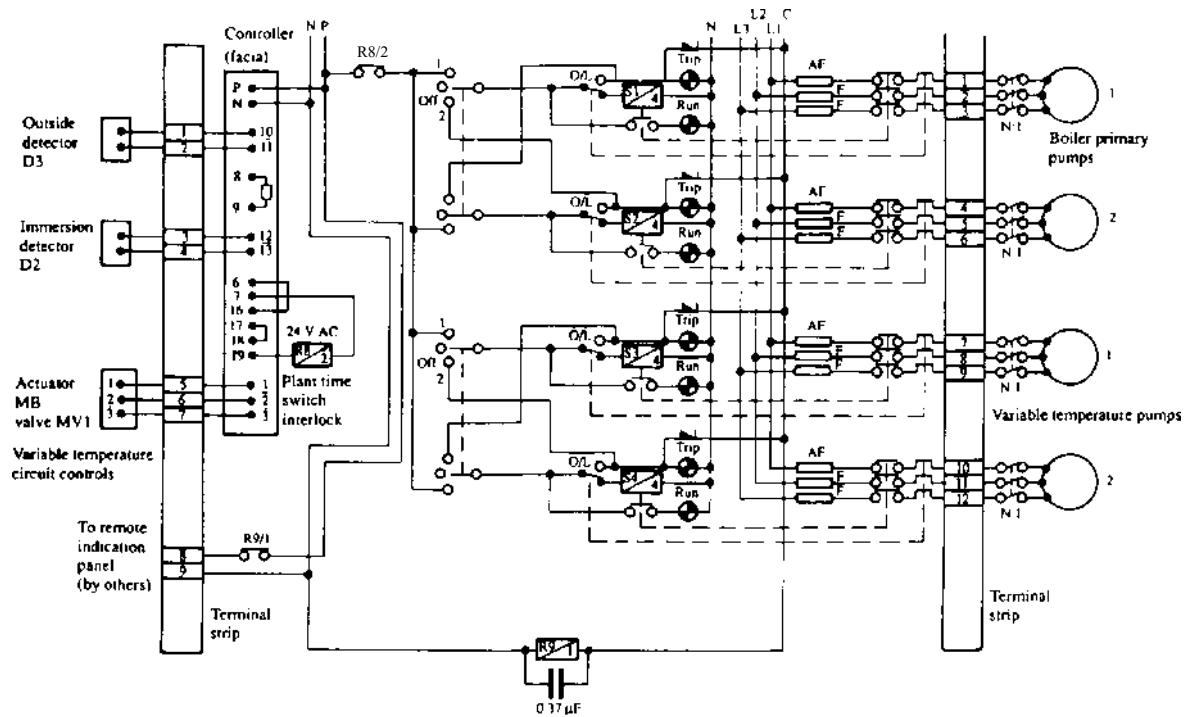


Figure 9

temperature pumps. One of each of these pairs is a standby in the event of failure of the other; this will become clear as we interpret the scheme.

There is a controller (similar to the programmer of a central heating system) which receives inputs from two temperature sensors and operates an actuator valve and a time switch. There are two sets of linked, three-position switches, and direct-on-line three-phase starters with single-phase coils S1/4, S2/4, S3/4, and S4/4 for the pumps. There is also run and trip indication for each pump.

Let us now follow the sequence of events:

1. The selector switches are set to, say, position 1.
2. The temperature sensors operate and the controller actuates valve MV1. If the 24V time switch relay R8/2 is energized, then its N/O contacts R8/2 are closed, giving supply to the selector switches.
3. Starters S1/4 and S3/4 are energized via their respective overload (O/L) contacts; the main contacts close and the pumps start. Auxiliary contacts on the starters energize the run lamps.
4. If pump 1, say, were to overload, then the N/O O/L contacts would close, de-energizing S1/4 and shutting down pump 1, and supply would be transferred to starter S2/4 for pump 2 via the second linked switch. At the same time the trip lamp would come on and a supply via a diode and control cable C would be given to relay R9/1, operating its N/O contacts R9/1 to indicate a pump failure at a remote panel. The diode prevents back feeds to other trip lamps via the control cable C from other circuits.
5. The reader will see that the same sequence of events would take place if the selector switch were in position 2 in the first place.

Relay logic

In the last few pages we have investigated the use of relays for control purposes. Whilst this is perfectly acceptable for small applications, their use in more complex systems is now being

superseded by programmable logic controllers (PLCs). However, before we discuss these in more detail, it is probably best to begin with a look at relay logic.

We have already discussed circuit convention with regard to N/O and N/C contacts, and in the world of logic these contacts are referred to as 'gates'.

AND gates

If several N/O contacts are placed in series with, say, a lamp (Figure 10), it will be clear that contacts A *and* B *and* C must be closed in order for the lamp to light. These are known as **AND** gates.

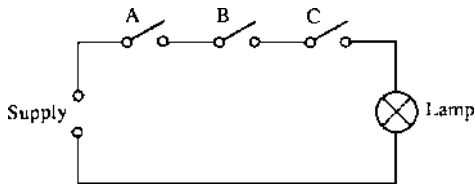


Figure 10

OR gates

If we now rewire these contacts in parallel (Figure 11), they are converted to **OR** gates in that contact A or B or C will operate the lamp.

Combined gates

A combination of **AND** and **OR** systems is shown in Figure 12, and would be typical of, say, a remote start/stop control circuit for a

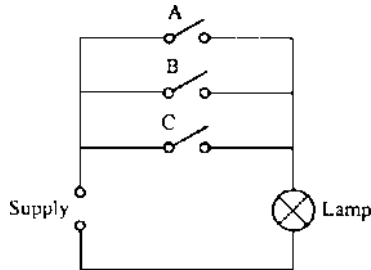


Figure 11

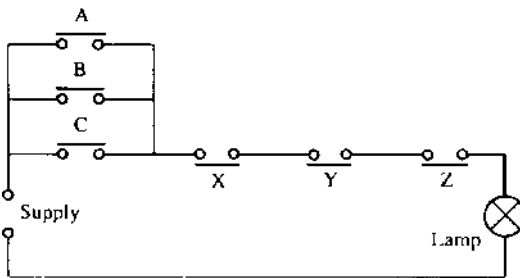


Figure 12

motor. *A or B or C* will only operate the contactor coil if *X and Y and Z* are closed.

A simplification of any control system may be illustrated by a block diagram such as shown in Figure 13, where the input may be achieved by the operation of a switch or sensor, the logic by relays, coils, timers etc., and the outputs in the form of lamps, heaters, sounders, contactors etc.



Figure 13

Programmable logic controllers (PLCs)

With complex control requirements, the use of electro-mechanical relays is somewhat cumbersome, and most modern systems employ PLCs. In basic terms these do no more than relays, i.e. they process the input information and activate a corresponding output. Their great advantage, however, is in the use of microelectronics to achieve the same end. The saving in space and low failure rate (there are no moving parts) make them very desirable. A typical unit for, say, 20 inputs (I) and 20 outputs (O), referred to as a 40 I/O unit, would measure approximately 300 mm by 100 mm by 100 mm, and would also incorporate counters, timers, internal coils etc.

A PLC is programmed to function in a specified way by the use of a keyboard and a display screen. The information may be programmed directly into the PLC, or a chip known as an EPROM may be programmed remotely and then plugged into the PLC. The programming method uses 'ladder logic'. This employs certain symbols, examples of which are shown in Figure 14. These symbols appear on the screen as the ladder diagram is built up.

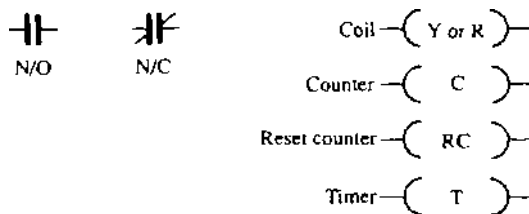


Figure 14

Here are some examples of the use of ladder logic.

Motor control

Figure 15 illustrates a ladder logic diagram for a motor control circuit (no PLC involved here). Closing the N/O contacts X0 gives supply to the motor contactor coil Y0 via N/C stop buttons X1 and X2. Y0 is held on via its own N/O contact Y0 when X0 is released. The motor is stopped by releasing either X1 or X2.

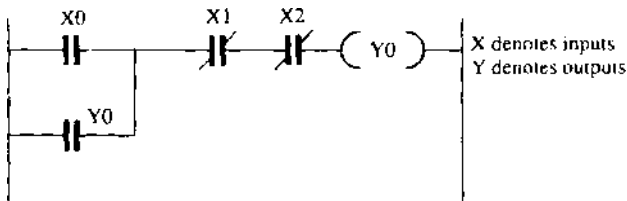


Figure 15

Packing control

Figure 16 shows the basic parts of a packing process. An issuing machine ejects rubber balls into a delivery tube and thence into boxes on a turntable. A photoswitch senses each ball as it passes. Each box holds ten balls and the turntable carries ten boxes.

Clearly, the issuing machine must be halted after the tenth ball, and time allowed for all balls to reach their box before the turntable revolves to bring another box into place. When the tenth box has been filled, the system must halt and a warning light must be energized to indicate that the process for that batch is completed. When new boxes are in place the system is restarted by operating an N/C manual reset button.

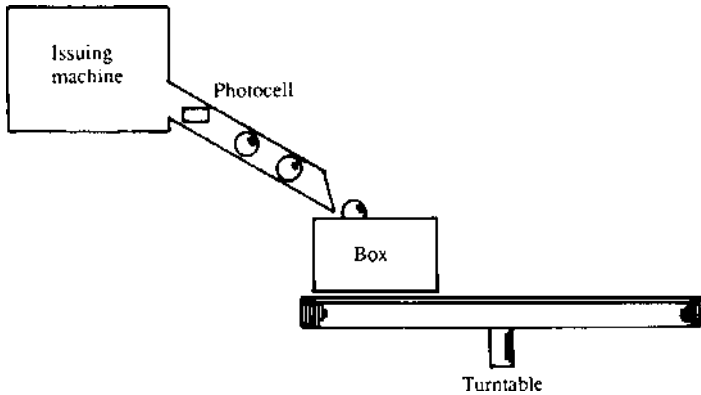


Figure 16

This system is ideal for control by a PLC with its integral counters and timers. Figure 17 shows an example of the ladder logic for this system using the following:

- X0 N/O photocell switch: closes as ball passes.
- X1 N/C manual reset button.
- Y0 Output supply to issuing machine.
- Y1 Output supply to turntable.
- Y2 Output supply to warning light.
- C0 Internal counter set to 10 with one N/C and two N/O contacts.
- C1 Internal counter set to 10 with one N/C and one N/O contacts.
- T0 Timer set for 5 seconds with one N/O contact.
- T1 Timer set for 5 seconds with one N/O contact.
- RC Reset counter: resets counter when supply to it is cut.

Fault location

Another major advantage of the use of PLCs for controlling systems is the relative ease of fault location. In the event of system failure,

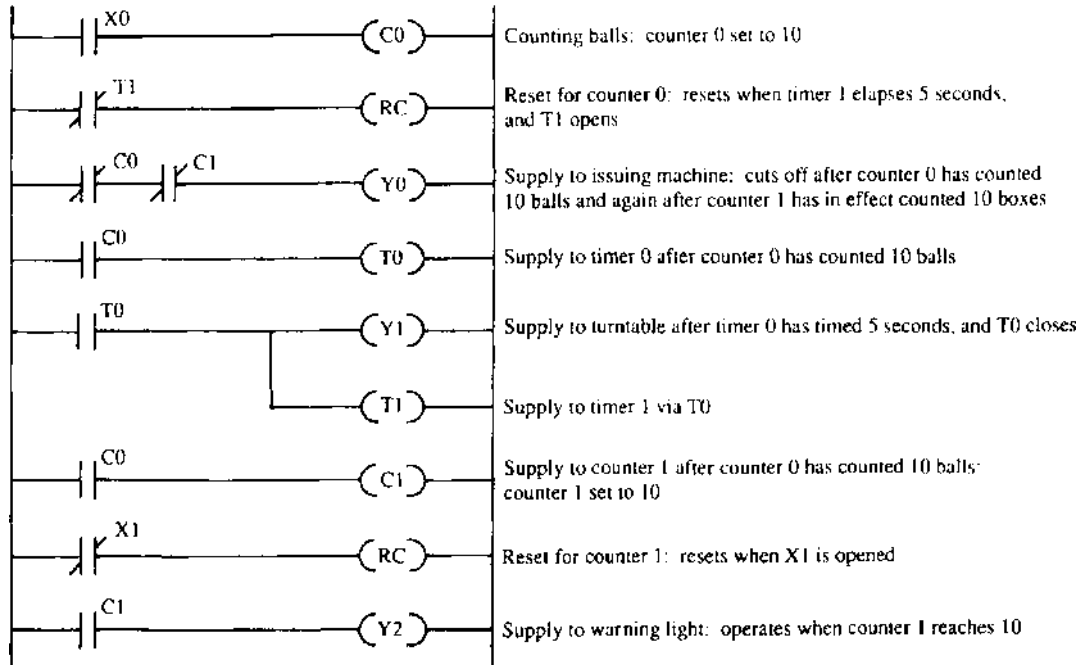


Figure 17

the keyboard and screen unit is plugged into the PLC and the condition of the system is displayed in ladder logic on the screen. Then, for example, any contact that is in the wrong position will show up.

Drawing exercises

1. Using BS EN 60617 architectural symbols, draw *block* diagrams of the following circuits:
 - (a) A lighting circuit controlled by one switch, protected by a fuse, and comprising three tungsten filament lamp points, two double fluorescent luminaires, and one single fluorescent luminaire.
 - (b) A lighting circuit controlled by two-way switches, protected by a fuse, and comprising three floodlights.
 - (c) A lighting circuit controlled by two-way switches, and one intermediate switch, protected by a circuit breaker, and comprising three spotlights. One of the two-way switches is to be cord operated.
 - (d) A ring final circuit protected by a circuit breaker, and comprising six double switched socket outlets and two single switched socket outlets.

2. Replace the symbols shown in Figure 18 with the correct BS EN 60617 symbols.

Solutions are given at the end of the book.

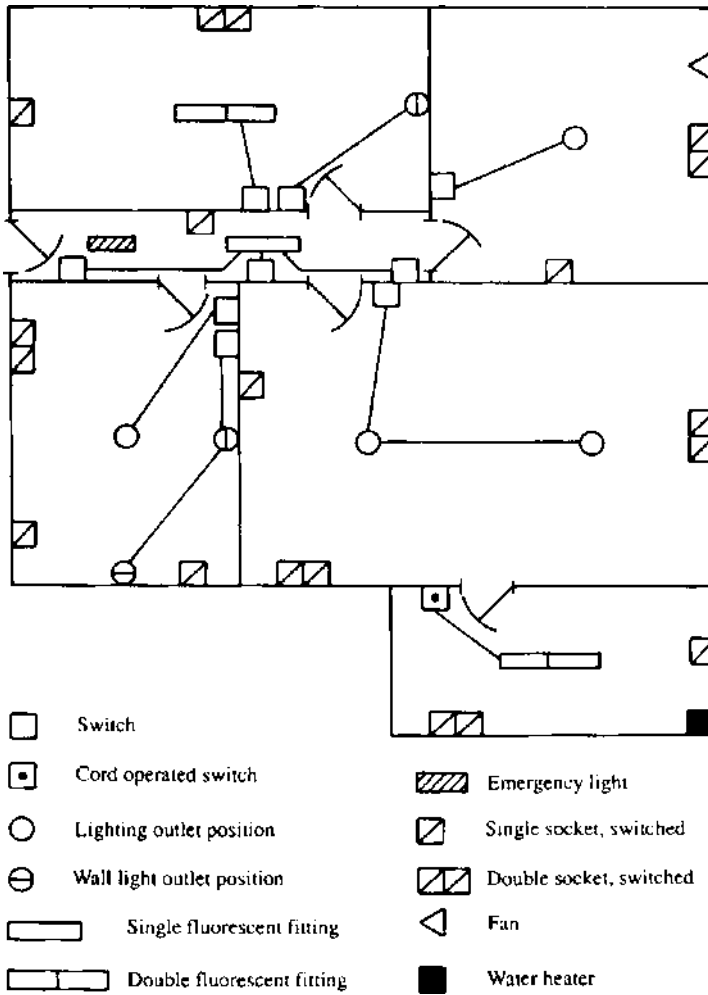


Figure 18

2 *Wiring systems*

In this chapter we will investigate a selection of the many wiring systems employed in modern installations. Some of these systems are simple to understand and require little explanation. Others of a more complex nature should now, in the light of the reader's new-found knowledge of diagrams etc., present only minor problems of interpretation.

Radial systems

Any system which starts from the supply point and either radiates out like the spokes of a wheel, or extends from one point to another in the form of a chain, is a radial system. Figures 19, 20 and 21 illustrate such systems as applied to lighting and power circuits.

It should be noted that BS EN 60617 architectural symbols are not often shown in this fashion; it is usual to see them used in conjunction with building plans. This will be discussed later.

Ring circuits

These circuits start at the supply point, loop from point to point and return to the same terminals they started from. They are most popular in domestic premises, where they are referred to as ring final circuits.

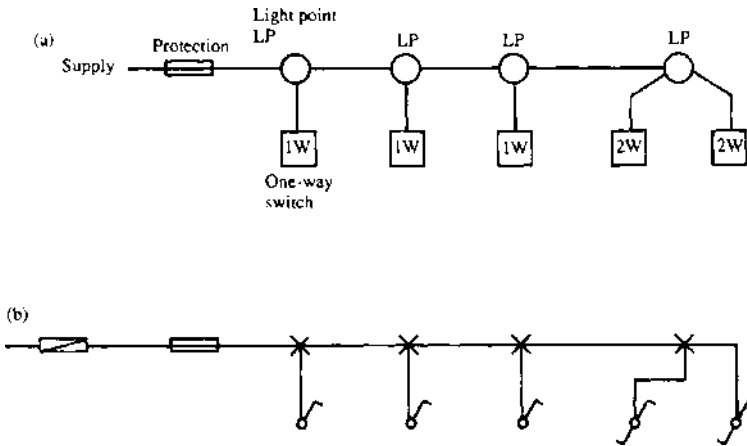


Figure 19 Radial lighting circuit using (a) representative, (b) architectural symbols

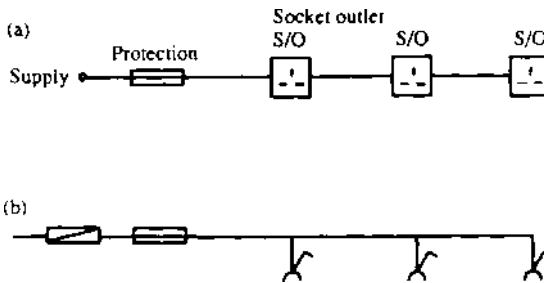


Figure 20 Radial socket outlet circuit using (a) representative, (b) architectural symbols

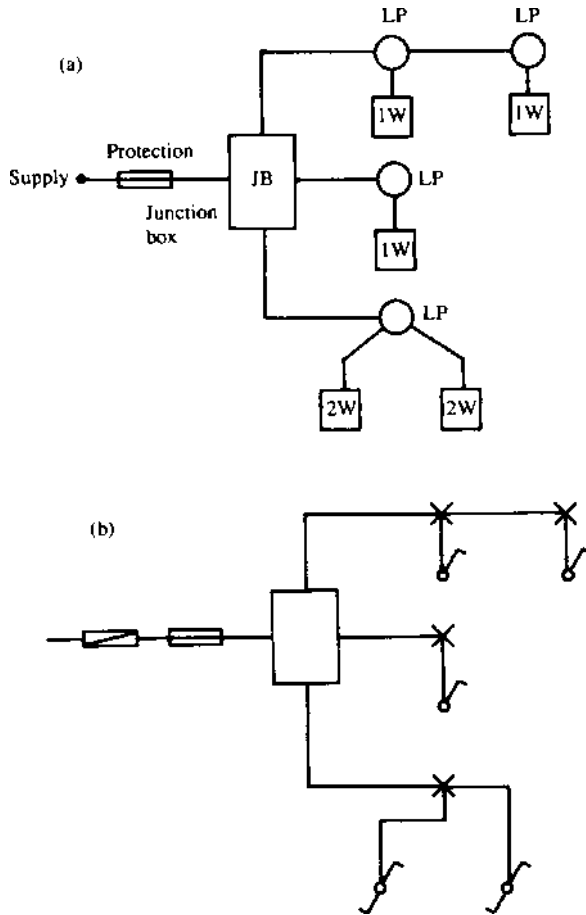


Figure 21 Radial lighting circuit using (a) representative, (b) architectural symbols

However, such systems are also used in factories where overhead busbar trunking is in the form of a ring, or for supply authority networks (Figures 22 and 23).

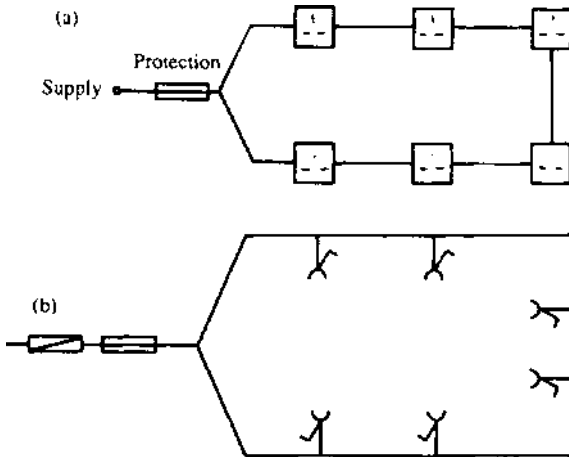


Figure 22 Ring final circuit using (a) representative, (b) architectural symbols

Distribution systems

Such systems are many and varied, but they are quite simple to understand as they tend to follow the ring and radial concepts.

Take for example the UK electricity system. Regardless of who owns this or that part of it, the system functions in the following stages: generation, transmission and distribution. Generated electricity is transmitted over vast distances around the UK in a combination of ring and radial circuits to points of utilization, where it is purchased by the Regional Electricity Companies (RECs) and distributed to their customers. Once again these systems are in the ring or the radial forms.

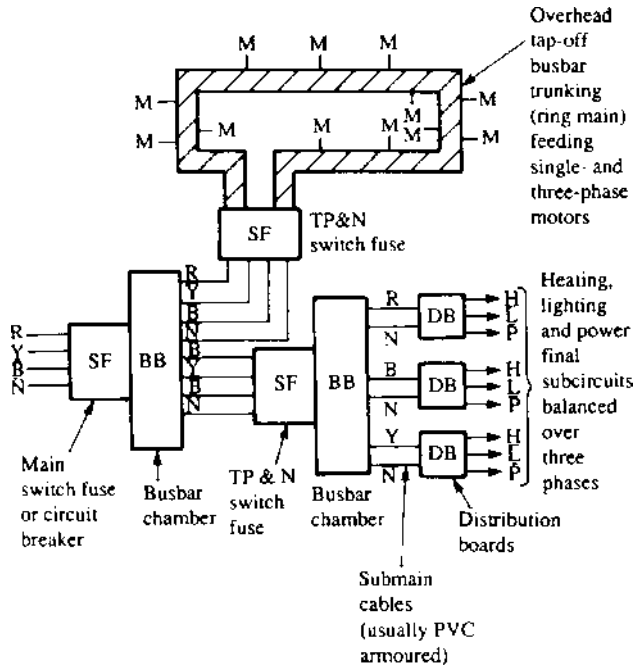


Figure 23 *Layout of industrial installation*

Probably more familiar to the installation electrician is the distribution system in an industrial or commercial environment. Here one finds radial circuits originating from the intake position and feeding distribution boards (DBs), from which are fed either more DBs or final circuits. Diagrams for such systems may be of the block type (Figure 24) or of the interconnection type (Figure 25).

Note how much more detail there is on the section of the drawing shown in Figure 25. Cable sizes and types are shown, together with cable lengths (23 m, 26 m etc.). Details at each DB indicate current loading (CC), approximate maximum demand (AMD), voltage drop (VD), earth loop impedance (ELI) and prospective fault current (PFC).

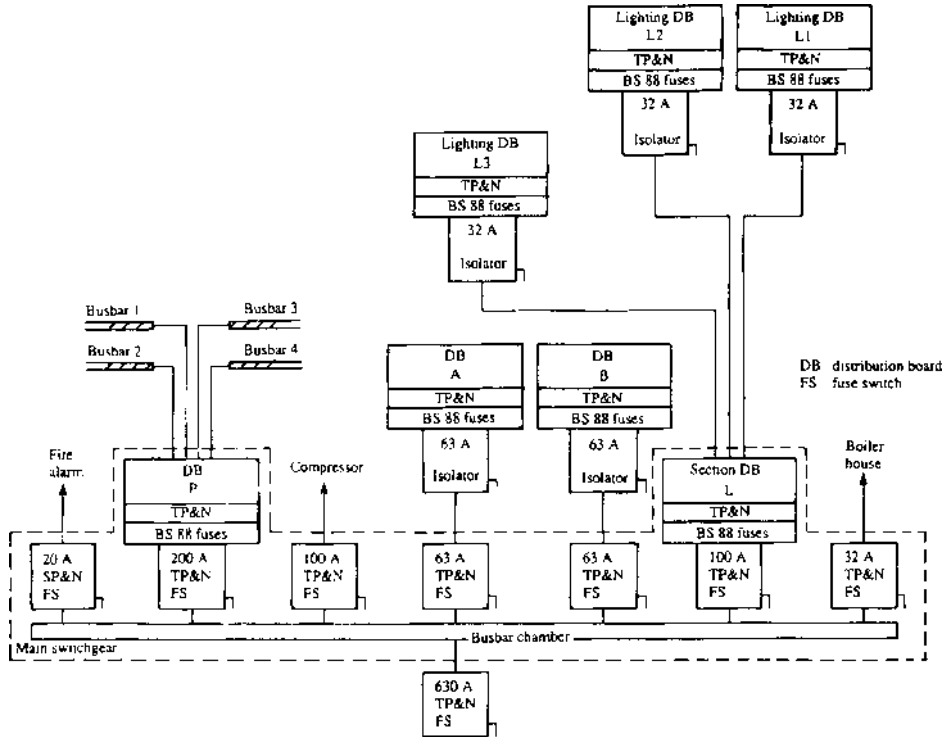


Figure 24 Distribution system, block type

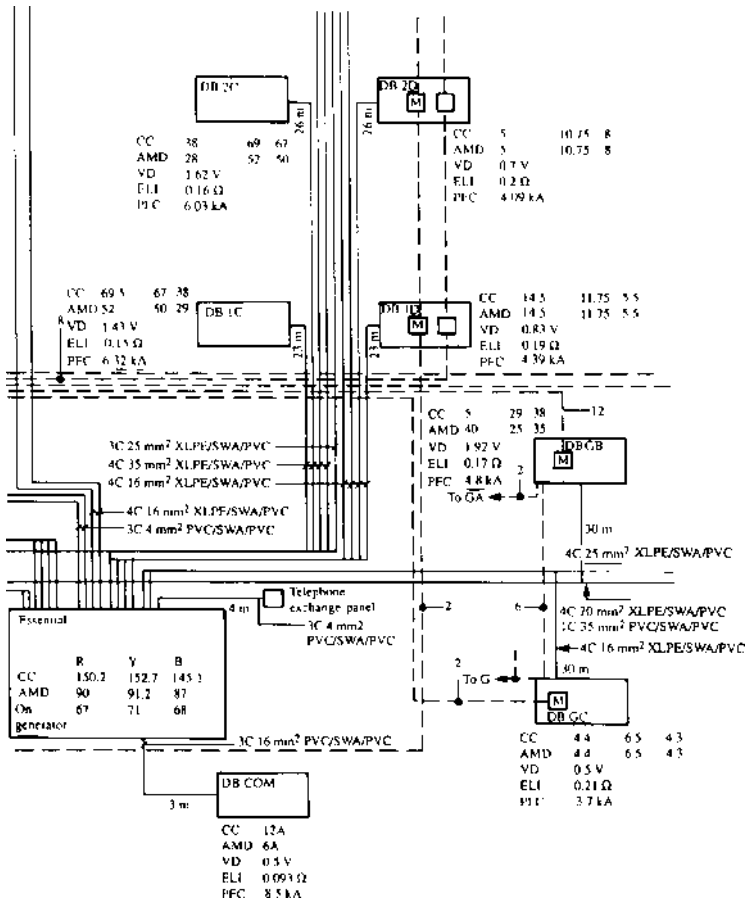


Figure 25 Distribution system, interconnection type

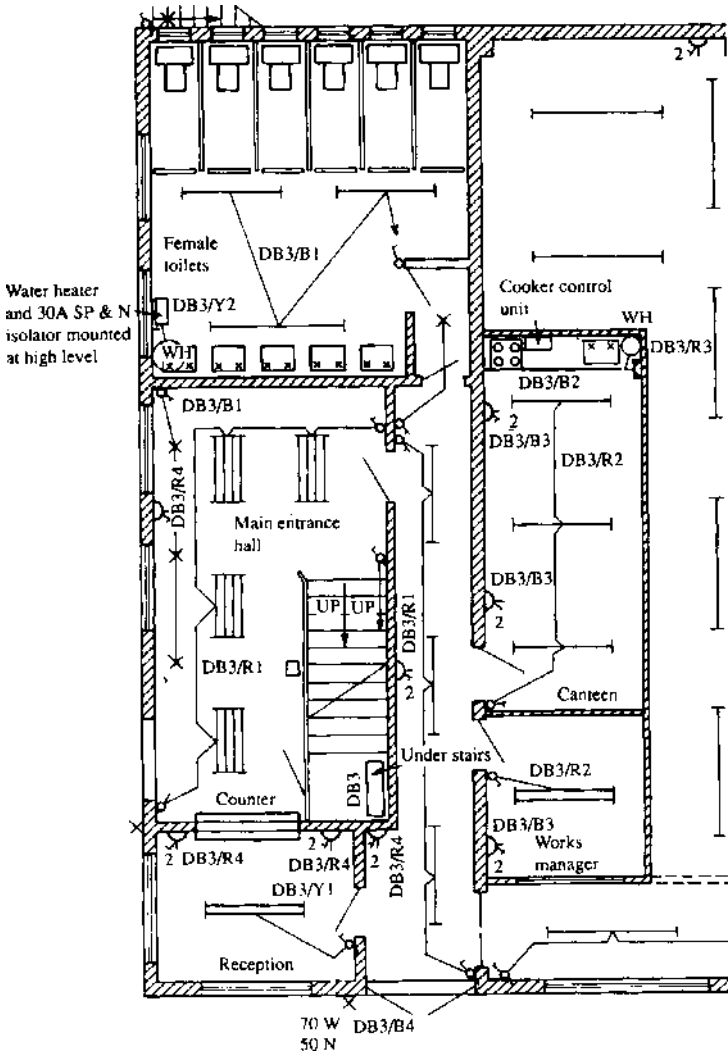


Figure 26 Example floor plan

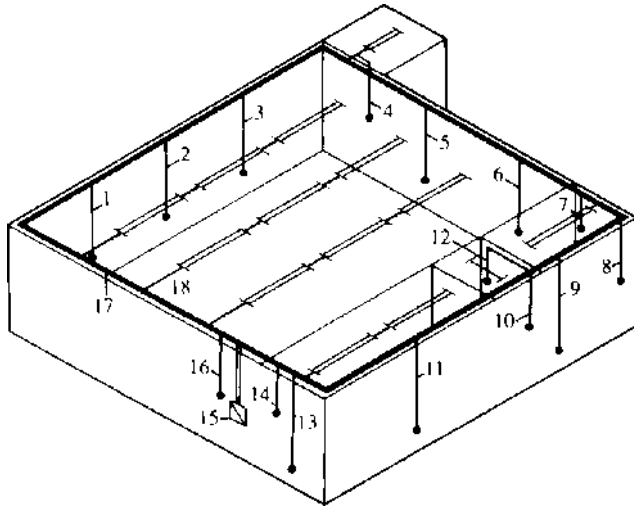


Figure 27 *Isometric drawing for garage/workshop*

- 1 *Three-phase supply to ramp: 20 mm² conduit*
- 2 *Single-phase supply to double sockets: 20 mm² conduit.*
Also 3, 5, 6, 9, 11, 13
- 4 *Single-phase supply to light switch in store: 20 mm² conduit*
- 7 *Single-phase supply to light switch in compressor: 20 mm² conduit*
- 8 *Three-phase supply to compressor: 20 mm² conduit*
- 10 *Single-phase supply to heater in WC: 20 mm² conduit*
- 12 *Single-phase supply to light switch in WC: 20 mm² conduit*
- 14 *Single-phase supply to light switch in office: 20 mm² conduit*
- 15 *Main intake position*
- 16 *Single-phase supplies to switches for workshop lights: 20 mm² conduit*
- 17 *50 mm × 50 mm steel trunking*
- 18 *Supplies to fluorescent fittings: 20 mm² conduit*

With the larger types of installation, an alphanumeric system is very useful for cross-reference between block diagrams and floor plans showing architectural symbols. Figure 26 shows such a system.

Distribution board 3 (DB3) under the stairs would have appeared on a diagram such as Figure 25, with its final circuits indicated. The floor plan shows which circuits are fed from DB3, and the number and phase colour of the protection. For example, the fluorescent lighting in the main entrance hall is fed from protective device number 1 on the red phase of DB3, and is therefore marked DB3/R1. Similarly, the water heater circuit in the female toilets is fed from protective device number 2 on the yellow phase, i.e. DB3/Y2.

Figures 27, 28 and 29 illustrate a simple but complete scheme for a small garage/workshop. Figure 27 is an isometric drawing of the garage and installation, from which direct measurements for materials may be taken. Figure 28 is the associated floor plan, which cross-references with the DB schedule and interconnection details shown in Figure 29.

A similar diagram to Figure 29 is shown for part of the ventilation system in a commercial premises in Figure 30.

Emergency lighting systems

These fall into two categories: maintained and non-maintained. Both these systems may be utilized by individual units or by a centralized source.

Maintained system

In this system the emergency lighting unit is energized continuously via a step-down transformer, and in the event of a mains failure it remains illuminated via a battery (Figure 31).

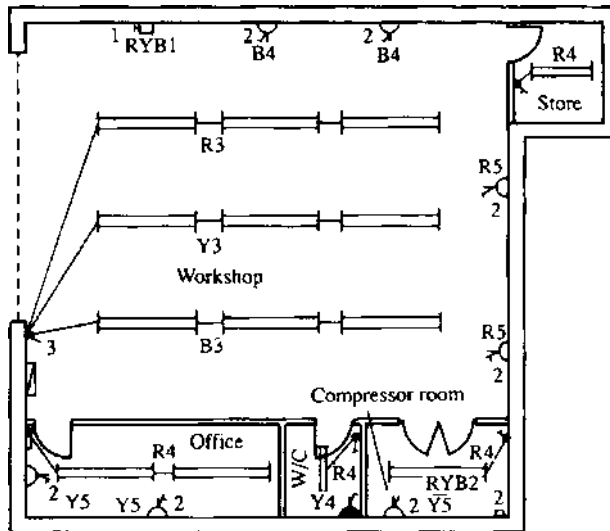


Figure 28 Floor plan for garage/workshop

Non-maintained system

Here the lighting units remain de-energized until a mains failure occurs, at which time they are illuminated by a battery supply (Figure 32).

It should be noted that modern systems use electronic means to provide the change-over from mains to battery supply. The contactor method, however, serves to illustrate the principle of operation.

Security and fire alarm systems

As with emergency lighting, modern security and fire alarm systems are electronically controlled, and it is not the brief of this book to

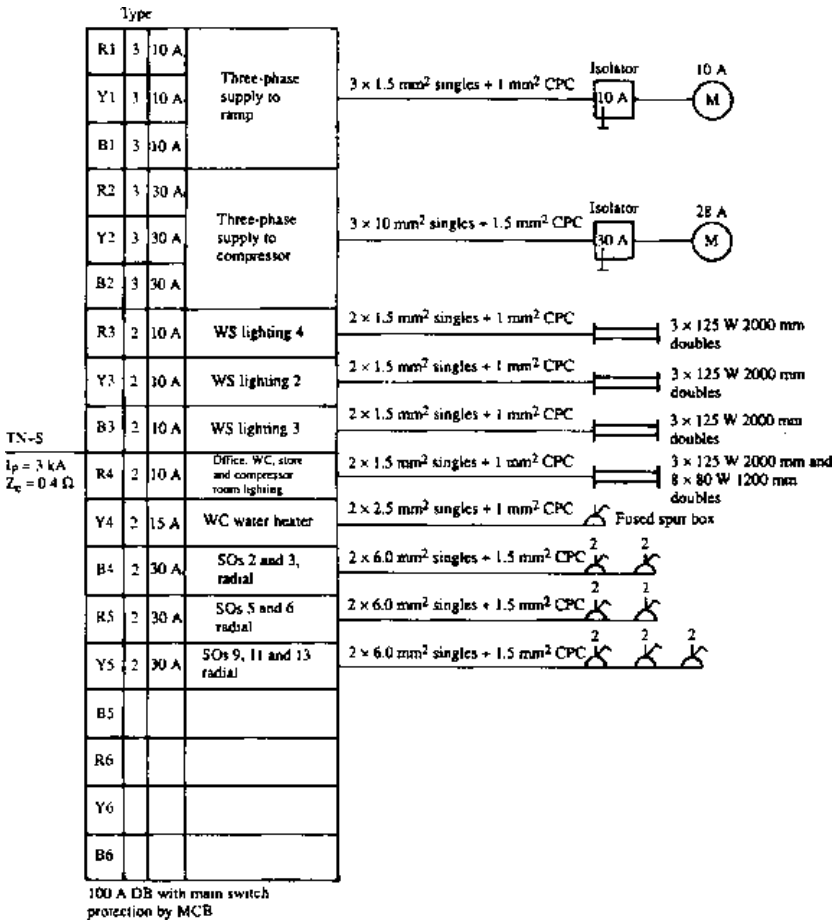


Figure 29 Details of connection diagram for garage/workshop

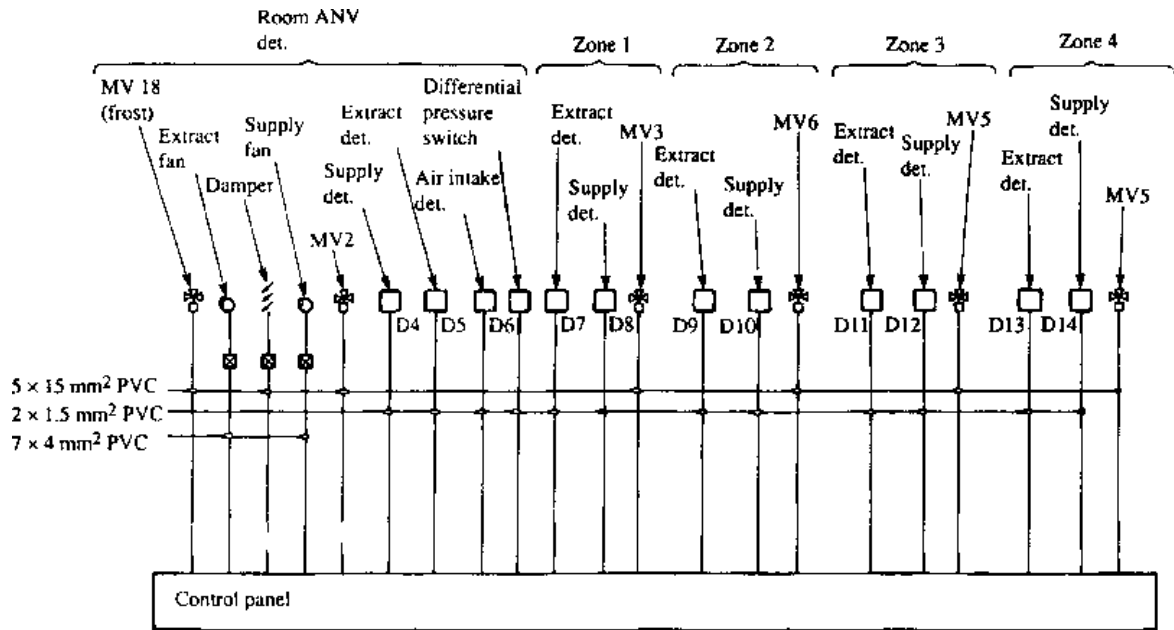


Figure 30 Connection diagram for part of ventilation scheme (det.: detector)

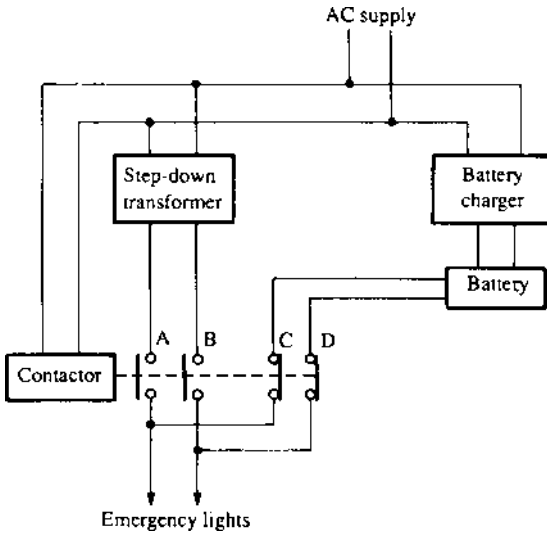


Figure 31 *Maintained system*

investigate electronic circuitry. However, as with the previous section, the basic principle of operation can be shown by electro-mechanical means.

Both security and fire alarm systems are basically the same in that various sensors are wired to a control panel, which in turn will activate an alarm in the event of sensor detection (Figures 33 and 34). Some modern panels have the facility for incorporating both systems in the same enclosure.

The principles of operation are as follows.

Open circuit system

In this system the call points (sensors, detectors etc.) are wired in parallel such that the operation of any one will give supply to the

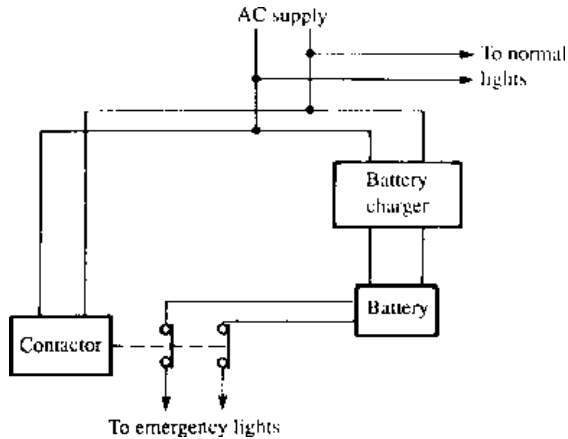


Figure 32 Non-maintained system

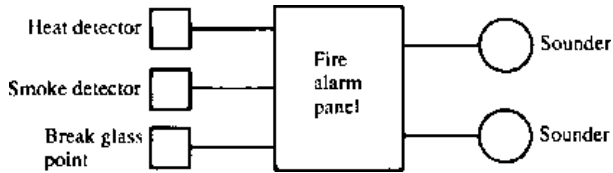


Figure 33 Block diagram for fire alarm system

relay RA and the sounder via the reset button (Figure 35). N/O contacts RA1 will then close, holding on the relay and keeping to the sounder via these contacts. This hold-on facility is most important as it ensures that the sounder is not interrupted if any attempt is made to return the activated call point to its original off position.

Fire alarm systems are usually wired on an open circuit basis, with a two-wire system looped from one detector to the next, terminating across an end-of-line resistor (EOLR). This provides a

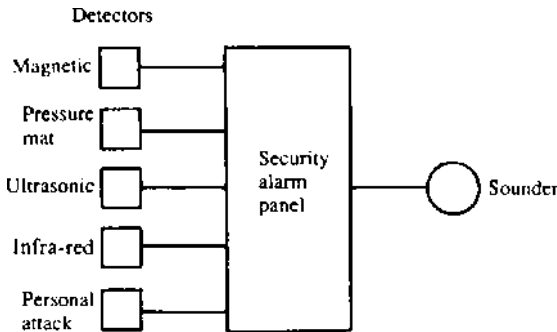


Figure 34 Block diagram for security alarm system

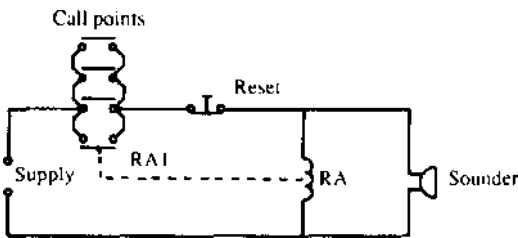


Figure 35 Open circuit

circuit cable monitoring facility; the EOLR is of sufficiently high value to prevent operation of the alarm. Figure 36 shows a typical connection diagram.

Closed circuit system

This system has the call points wired in series, and the operation of the reset button energizes the relay RA (Figure 37). Normally open

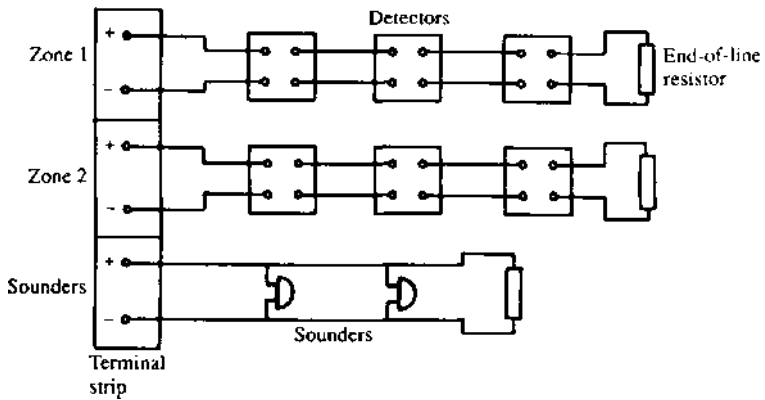


Figure 36 Fire alarm system

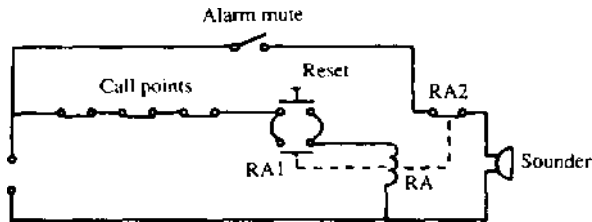


Figure 37 Closed circuit

(N/O) contacts RA1 close and normally closed (N/C) contacts RA2 open, the relay remaining energized via contacts RA1 when the reset button is released. The alarm sounder mute switch is then closed, and the whole system is now set up.

An interruption of the supply to relay RA, by operation of any call point, will de-energize the relay, open RA1 and close RA2, thus actuating the alarm sounder. The system can only be cancelled and reset by use of the reset button.

The closed system is quite popular, as it is self-monitoring in that any malfunction of the relay or break in the call point wiring will cause operation of the system as if a call point had been activated.

Intruder alarm systems tend, in the main, to be based on the closed circuit type. Figure 38 shows the connection diagram for a simple two-zone system with tamper loop and personal attack button.

The tamper loop is simply a continuous conductor wired to a terminal in each detector in the system. It is continuously monitored irrespective of whether the alarm system is switched on or off, and if interrupted will cause immediate operation of the alarm.

The entry/exit circuit is usually confined to the front and/or back doors. The facility exists to alter the time delay between setting the system and exiting, and between entering and switching the system off. This adjustment is made inside the control panel.

All security and fire alarm systems should have battery back-up with charging facilities.

Call systems

Once again these fall into different categories, such as telephone systems and page and bleeper systems. However, the typical nurse-call variety, which uses push buttons and lamp indication is probably the most popular.

With this type, each room is equipped with a call button of some description, a patient's reassurance light, and a cancel button. Outside each room is an indicator light, and at strategic points in the building are zone sounders. Centrally located is a display panel which incorporates a sounder and an indication of which room is calling.

Figure 39 illustrates, in a simple form, the principle of operation of such a system. This system should, by now, be quite familiar to the reader; it is simply another variation of the hold-on circuit. Any patient pushing a call button energizes the corresponding relay in the main control panel, which is held on by a pair of N/O contacts. At the same time the reassurance, the room and panel lights 1, 2 and

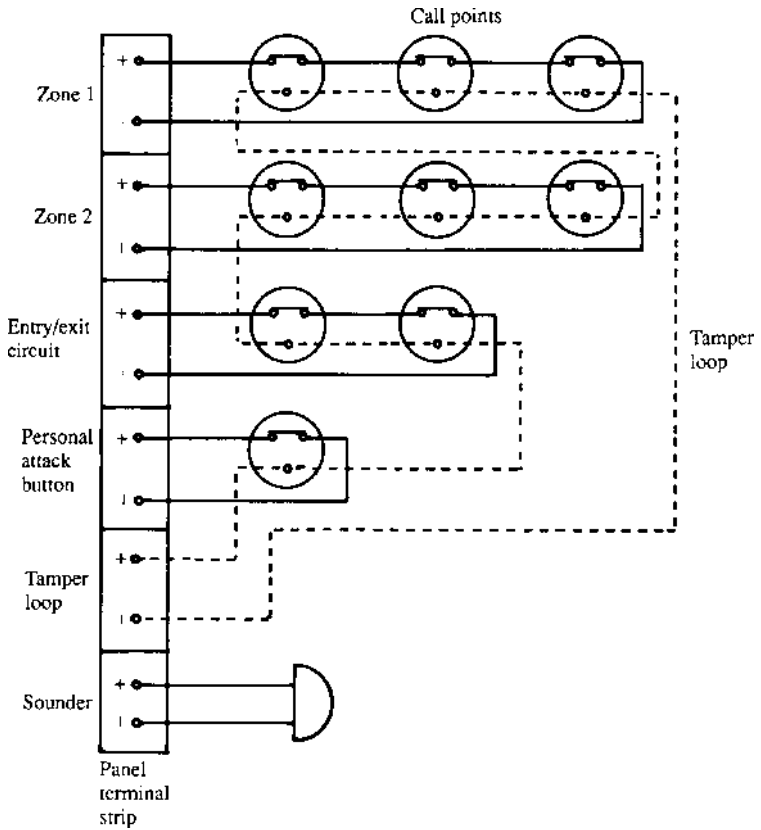


Figure 38 Security alarm system

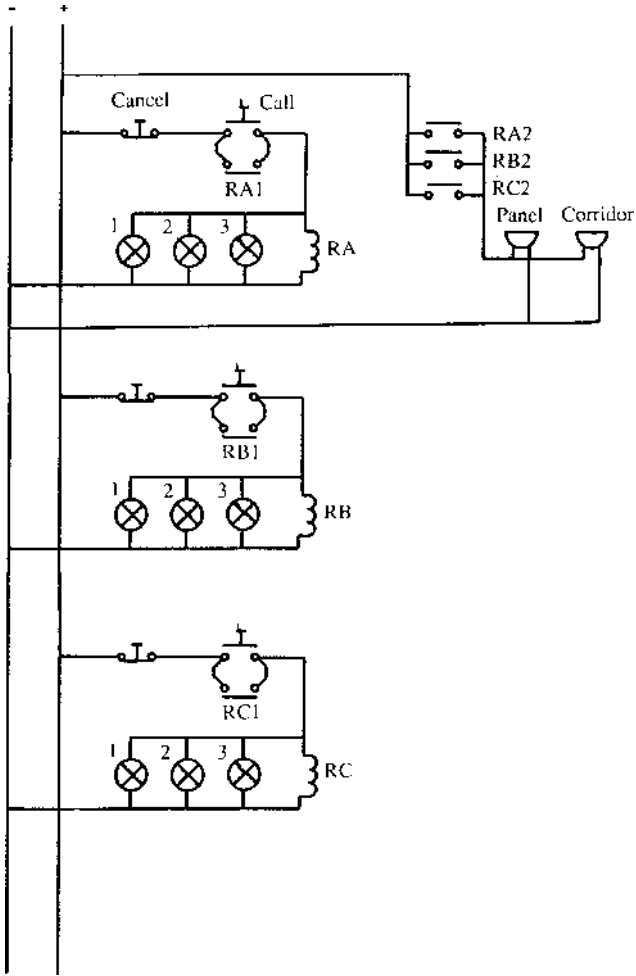


Figure 39 Nurse-call system

3 are all illuminated. The zone and panel sounders are energized via the relay's other pair of N/O contacts.

It is usual to locate cancel buttons in patient's rooms only, as this ensures that staff visit the patient in question.

Motor starter circuits

No book on wiring systems would be complete without reference to control circuits for motor starters. Here we will look at direct-on-line (DOL) and star-delta starters. Once more, the good old hold-on circuit is employed in both types.

Direct-on-line starter

Both single and three phase types use the same circuit, as illustrated in Figures 40a and 40b. It is important to note that if a 230 V coil were to be used instead of a 400 V type, the coil connections would require a neutral conductor in the starter.

Star-delta starter

Figures 41a and 41b show the wiring and schematic diagrams for a star-delta starter. This is clearly a more complicated system than the DOL type. However, the control system is essentially the same. On start up, the star contactor, electronic timer and the main contactor are all energized. At the end of the set time the supply to the star contactor is removed and given to the delta contactor, the main contactor remaining energized the whole time. Reference to Figure 41b will indicate how the system functions.

1. When the start is pushed, supply is given to the star contactor (⊙) and the timer ET, from L1 to L3, and hence all contacts marked

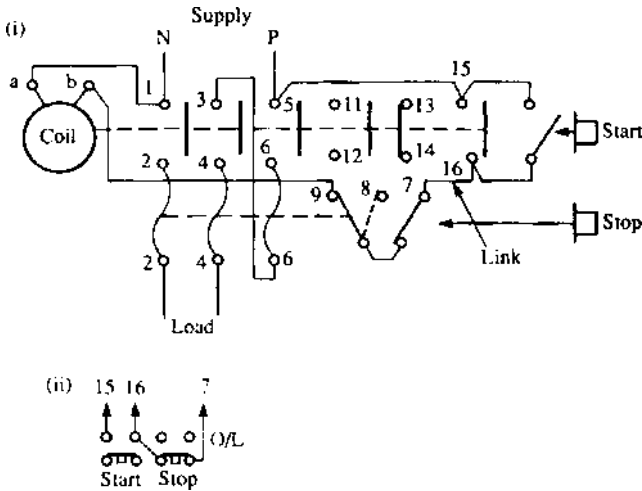


Figure 40(a) (i) *Direct-on-line starter, single phase.*
(ii) *Connections for remote push-button (start/stop) control: omit link and connect as shown*

Δ associated with the star contactor will change position. The supply to Δ and ET is maintained, after the start is released, via star contacts 11 and 12, ET contacts OR-Y, and star contacts 15 and 16. The main contactor (M) is also energized via star contacts 11 and 12, and M15, and thereafter maintained via its own contacts M15 and 16.

2. The motor has of course started, and after a pre-determined time delay ET operates and its contacts OR-Y change to OR-L. This cuts off supply to the star contactor Δ and also ET. All star Δ contacts return to normal, and ET resets OR-L to OR-Y.
3. Supply is now given to the delta contactor Δ via M15 and 16, OR-Y, and star contacts Δ 13 and 14. Delta contacts Δ 13 and 14 open and prevent further energization of the star contactor.

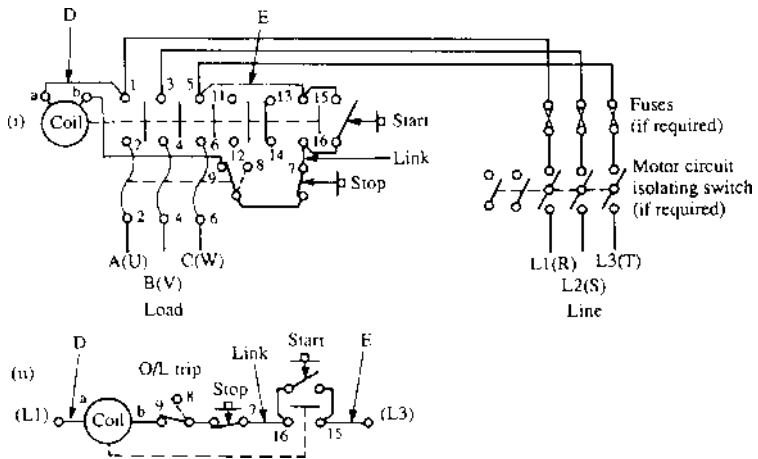


Figure 40(b) (i) *Direct-on-line starter, three phase.*
 (ii) *Schematic diagram. Control circuit supply: for phase to phase, connect as shown; for phase to neutral, omit connection D and connect neutral to terminal a; for separate supply, omit D and E, and connect separate coil supply to terminals a and 15*

The reader will notice that the line and load terminal markings in Figure 41a show letters in brackets; these are the European equivalents.

Central heating systems

It would be impossible in such a small book to deal with the vast number of modern systems and variations that are currently available. We will therefore take a look at the two most basic arrangements: the pumped central heating (CH) and gravity fed hot water (HW) system, and the fully pumped system with mid-position valve. It must be remembered that, whatever the system, it is imperative that

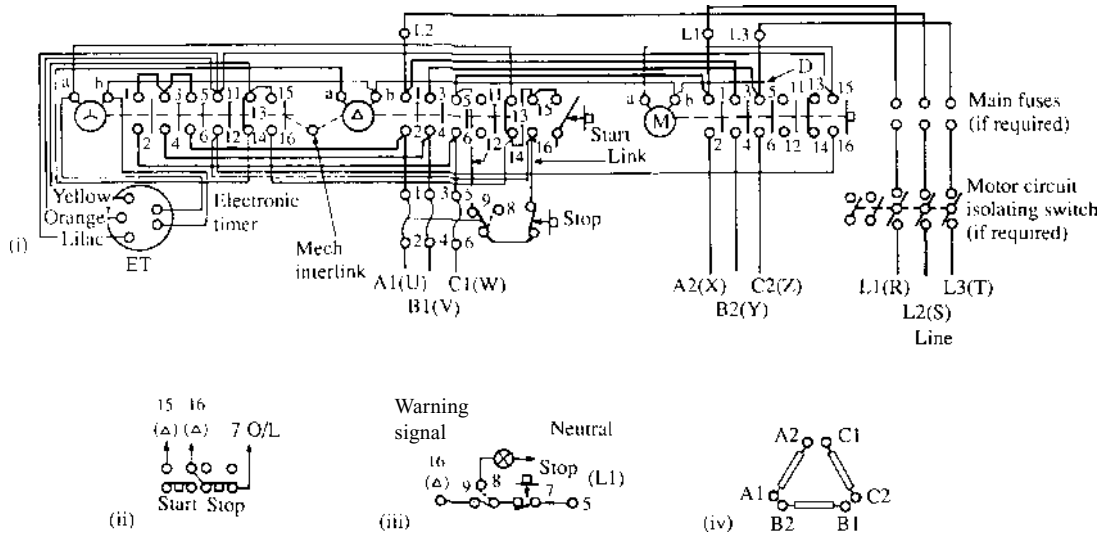


Figure 41(a) (i) Automatic star-delta starter. (ii) Connections for remote push-button (start/stop) control: omit link and connect as shown. (iii) Connections for trip warning. (iv) Motor windings: connect to appropriate terminals on starter

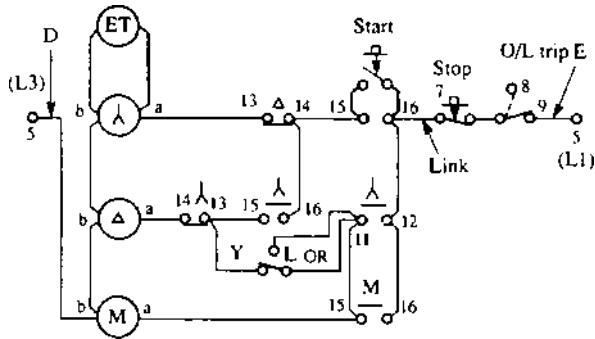


Figure 41(b) Schematic diagram

Control circuit supply: for phase to phase, connect as shown; for phase to neutral, omit connection D and connect neutral to terminal b; for separate supply, omit D and E, and connect separate coil supply to terminals b and 9

Connections for remote pilot switch control: remove connection 14 to 15 on delta contactor; connect between 14 and 16 on M contactor to terminal 14 on delta contactor; connect pilot switch in place of connection E

the wiring installer has a knowledge of the function of the system in order for him/her to do a competent job.

Pumped CH and gravity HW

This system comprises a boiler with its own thermostat to regulate the water temperature, a pump, a hot water storage tank, a room thermostat, and some form of timed programmer. The water for the HW, i.e. the taps etc., is separate from the CH water, but the boiler heats both systems.

Figure 42 shows such a system. From the diagram it might appear

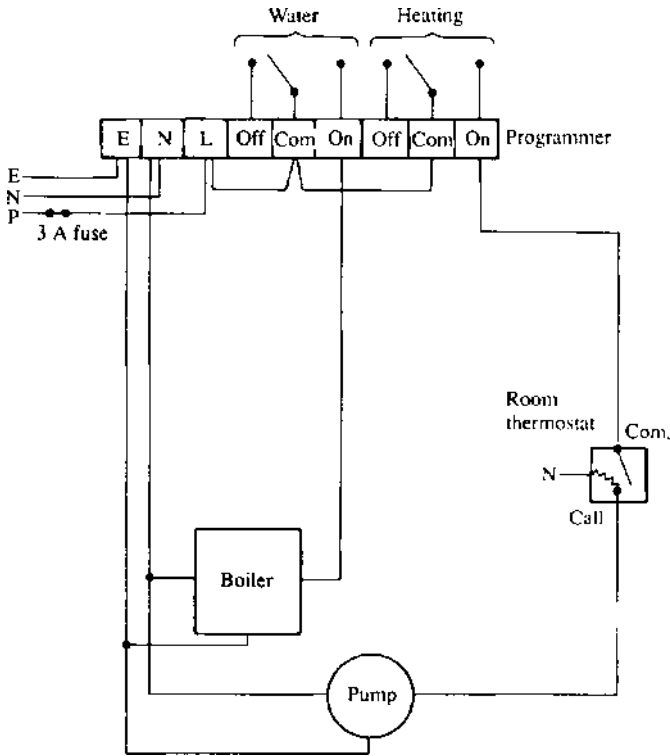


Figure 42 Gravity primary and pumped heating

that when the requirement for HW is switched off at the programmer, the CH cannot be called for as the boiler has lost its feed. In fact, such programmers have a mechanical linkage between the switches: HW is allowed without CH, but selection of CH automatically selects HW also.

Note the little heating element in the room thermostat; this is known as an accelerator. Its purpose is to increase the sensitivity of the thermostat; manufacturers claim that it increases the accuracy of

the unit to within one degree Celsius. The inclusion of an accelerator (if required) does mean an extra conductor for connection to neutral.

Fully pumped system

Two additional items are required for this system: a cylinder thermostat and a mid-position valve. In this system HW and CH can be selected independently. The mid-position valve has three ports: a motor will drive the valve to either HW only, CH only, or HW and CH combined. With this system the boiler and pump always work together. Figure 43 illustrates the system, and Figure 44 shows the internal connections of a mid-position valve.

Some difficulties may be experienced in wiring when the component parts of the system are produced by different manufacturers. In this case it is probably best to draw one's own wiring diagram from the various details available.

Extra low voltage lighting

These systems, incorrectly referred to as low voltage lighting (low voltage is 50 V to 1000 V AC), operate at 12 V AC. They employ tungsten halogen dichroic lamps, which have a very high performance in comparison with 240 V halogen lamps. For example, a 50 W dichroic lamp has the same intensity as a 150 W PAR lamp.

Extra low voltage (ELV) lighting is becoming very popular, especially for display purposes. There is very little heat emission, the colour rendering is excellent, and energy consumption is very low.

The 12 V AC to supply the lamps is derived from a 240 V/12 V transformer specially designed to cater for the high starting surges, and only these types should be used. The voltage at each lamp is critical: 0.7 V overvoltage can cause premature ageing of the lamp, and 0.7 V undervoltage will reduce the light output by 30 per cent. Hence the variation in voltage must be avoided.

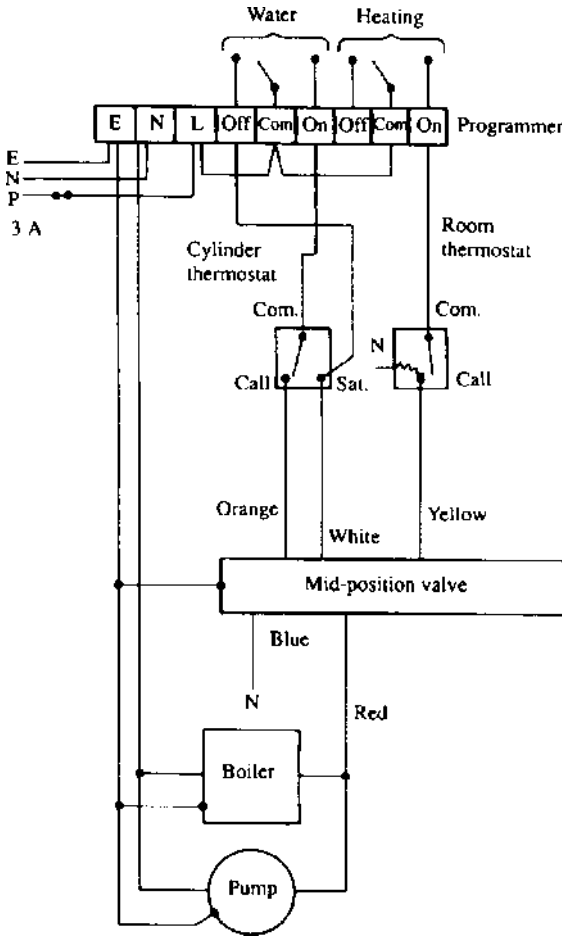


Figure 43 Fully pumped system

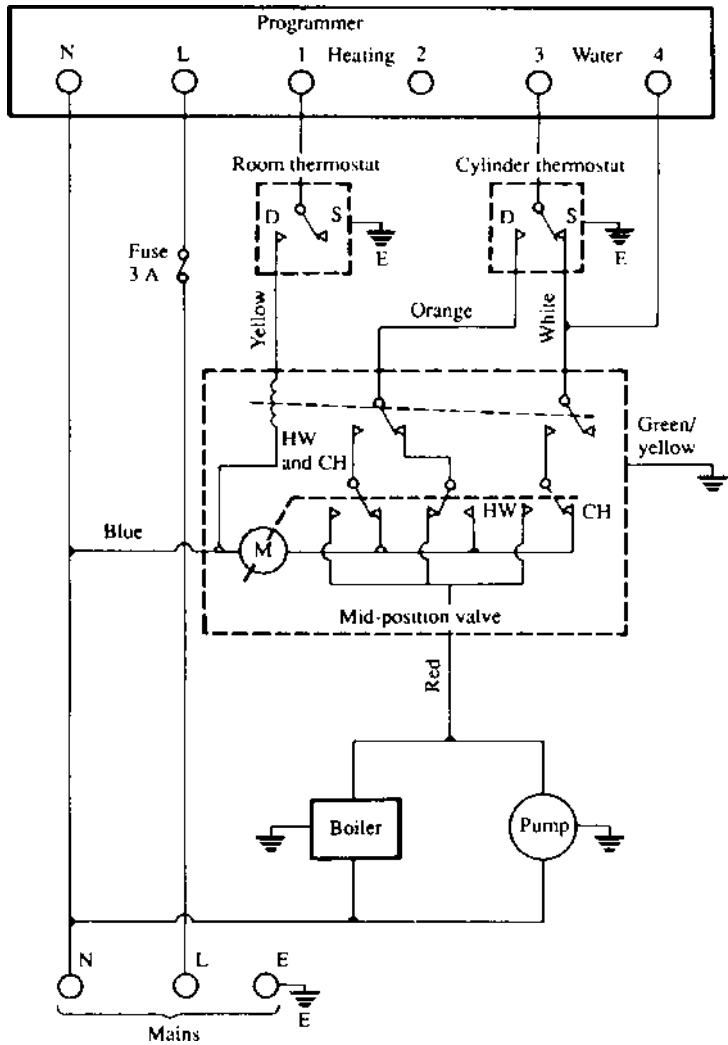


Figure 44 Internal connections of mid-position valve

To achieve this, leads and cables must be kept as short as possible, and the correct size used to avoid excessive voltage drop. When several lamps are to be run from one transformer, it is advisable to use a fused splitter unit rather than to wire them in a parallel chain (Figure 45).

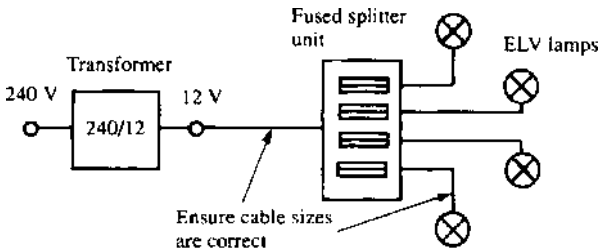


Figure 45

It is important to remember that, for example, a 50 W ELV lamp will draw 4.17 A from the 12 V secondary of the transformer ($I = P/V$). Although a 1.0 mm cable will carry the current, the voltage drop for only 3 m of this cable will be 0.55 V.

Domestic telephone systems

Extensions to domestic telephone systems are extremely easy as each extension socket is wired in parallel to the one previous (Figure 46).

The master socket is the first socket in any installation and contains components to allow telephones to

- be removed without causing problems at the exchange
- stop surges on the line such as lightning strikes
- prevent the telephone making partial ringing noises when dialling.

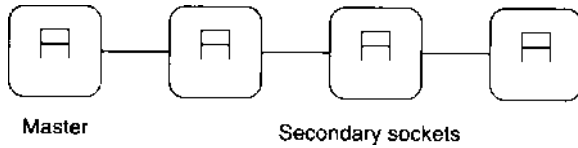


Figure 46

Connection to the master socket is not permitted, except by use of an adaptor plug and extension cable.

Extension or secondary sockets house only terminals.

Secondary sockets

The number of these is unlimited but the number of modern telephones or ringing devices (e.g. extension bells) connected at any one time is limited to four. More than this and telephones may not ring or even work.

Cable

The cable used should comply with BT specification CW1308, which is 1/0.5 mm and ranges from four-core (two pairs) to forty-core (twenty pairs). It is not usual for secondary sockets to require any more than four cores.

Wiring

Wiring may be flush or surface but kept clear of the low voltage electrical system by at least 50 mm. No more than 100 m of cable should be used overall and the length between the master socket and the first extension socket should not be more than 50 m.

Connection to the modern insulation displacement connectors

(IDCs) is made using a special tool provided with each socket. The connection requirements are as shown in Figure 47.

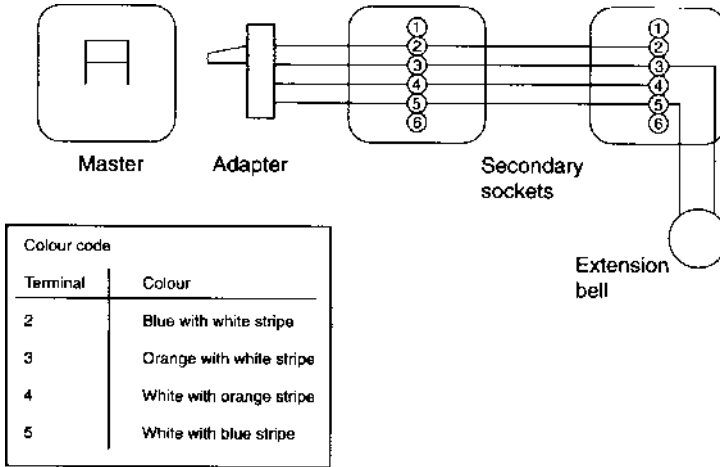


Figure 47

3 *Testing and test instruments*

Measurement of electrical quantities

As the reader will know, the basic electrical quantities which need to be measured in the world of the installation electrician are current, voltage and resistance. The units of these quantities are the ampere, the volt and the ohm, respectively.

Paradoxically, however, the range and complexity of the instruments available to measure these three fundamental quantities are enormous. So where does one start in order to make a choice of the most suitable types?

Let us look at the range of quantities that an electrician is likely to encounter in the normal practice of his/her profession. If we take the sequence of the more commonly used tests prescribed by the IEE Wiring Regulations, and assign typical values to them, we can at least provide a basis for the choice of the most suitable instruments. It will be seen from Table 1 that all that is required is an ohmmeter of one sort or another, a residual current device (RCD) tester and an instrument for measuring prospective short circuit current.

Selection of test instruments

It is clearly most sensible to purchase instruments from one of the established manufacturers rather than to attempt to save money by

Table 1

<i>Test</i>	<i>Range</i>	<i>Type of instrument</i>
1 Continuity of ring final conductors	0.05 to 0.8 ohms	Low reading ohmmeter
2 Continuity of protective conductors	2 to 0.005 ohms or less	Low reading ohmmeter
3 Earth electrode resistance	Any value over about 3 or 4 ohms	Special ohmmeter
4 Insulation resistance	Infinity to less than 1 megohm	High reading ohmmeter
5 Polarity	None	Ohmmeter, bell etc.
6 Earth fault loop impedance	0 to 2000 ohms	Special ohmmeter
7 Operation of RCD	5 to 500 mA	Special instrument
8 Prospective short circuit current	2 A to 20 kA	Special instrument

buying cheaper, lesser known brands. Also, as the instruments used in the world of installation are bound to be subjected to harsh treatment, a robust construction is all important.

Many of the well known instrument companies provide a dual facility in one instrument, e.g. prospective S/C current and loop impedance, or insulation resistance and continuity. Hence it is likely that only one, three or four instruments would be needed, together with an approved test lamp (a subject to be dealt with in the next section).

Now, which type to choose, analogue or digital? There are merits in both varieties, and the choice should not be determined just by expense or a reluctance to use ‘new-fangled electronic gadgetry’! Accuracy, ease of use and robustness, together with personal preference, are the all-important considerations.

Approved test lamps and indicators

Search your tool boxes; find, with little difficulty one would suspect, your ‘neon screwdriver’ or ‘testascope’; locate a very deep pond; and drop it in!

Imagine actually allowing electric current at low voltage (50 to 1000 V AC) to pass through one's body in order to activate a test lamp! It only takes around 10 to 15 mA to cause severe electric shock, and 50 mA (1/20th of an ampere) to kill.

Apart from the fact that such a device will register any voltage from about 5 V upwards, the safety of the user depends entirely on the integrity of the current-limiting resistor in the unit. An electrician received a considerable shock when using such an instrument after his apprentice had dropped it in a sink of water, simply wiped it dry and replaced it in the tool box. The water had seeped into the device and shorted out the resistor.

An approved test lamp should be of similar construction to that shown in Figure 48.

Accidental RCD operation

It has long been the practice when using a test lamp to probe between phase and earth for indication of a live supply on the phase terminal. However, this can now prevent a problem where RCDs exist in the circuit, as of course the test is applying a deliberate phase to earth fault.

Some test lamps have LED indicators, and the internal circuitry of such test lamps limits the current to earth to a level below that at which RCD will operate. The same limiting effect applies to multimeters. However, it is always best to check that the testing device will have no effect on RCDs.

Calibration, zeroing and care of instruments

Precise calibration of instruments is usually well outside the province of the electrician, and would normally be carried out by the manufacturer or a local service representative. A check, however, can be made by the user to determine whether calibration is necessary

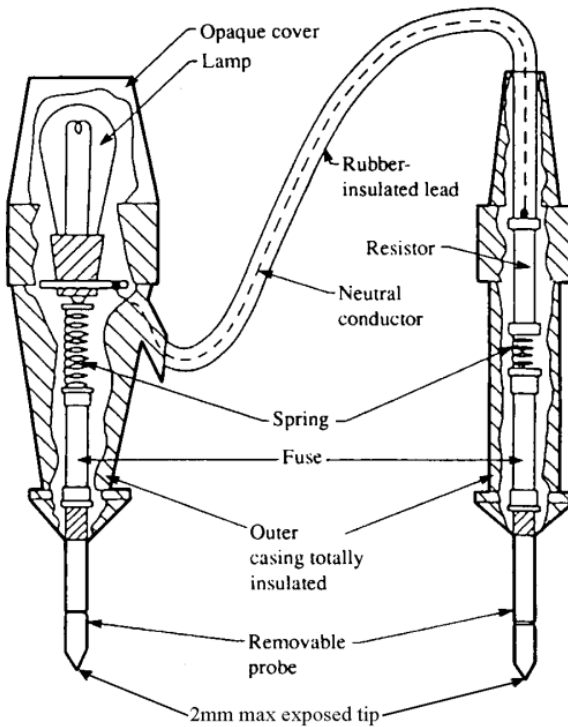


Figure 48 *Approved test lamp*

by comparing readings with an instrument known to be accurate, or by measurement of known values of voltage, resistance etc.

It may be the case that readings are incorrect simply because the instrument is not zeroed before use, or because the internal battery needs replacing. Most modern instruments have battery condition indication, and of course this should never be ignored.

Always adjust any selection switches to the off position after testing. Too many instrument fuses are blown when, for example, a multimeter is inadvertently left on the ohms range and then used to check for mains voltage.

The following procedure may seem rather basic but should ensure trouble-free testing:

1. Check test leads for obvious defects.
2. Zero the instrument (where required).
3. Select the correct range for the values anticipated. If in doubt, choose the highest range and gradually drop down.
4. Make a record of test results, if necessary.
5. Return switches/selectors to the off position.
6. Replace instrument leads in carrying case.

Continuity of protective conductors

All protective conductors, including main equipotential and supplementary bonding conductors must be tested for continuity using a low resistance ohmmeter.

For main equipotential bonding there is no single fixed value of resistance above which the conductor would be deemed unsuitable. Each measured value, if indeed it is measurable for very short lengths, should be compared with the relevant value for a particular conductor length and size. Such values are shown in Table 2.

Table 2 Resistance (Ω) of copper conductors at 20°C

CSA (mm ²)	Length (m)									
	5	10	15	20	25	30	35	40	45	50
1	0.09	0.18	0.27	0.36	0.45	0.54	0.63	0.72	0.82	0.9
1.5	0.06	0.12	0.18	0.24	0.3	0.36	0.43	0.48	0.55	0.6
2.5	0.04	0.07	0.11	0.15	0.19	0.22	0.26	0.03	0.33	0.37
4	0.023	0.05	0.07	0.09	0.12	0.14	0.16	0.18	0.21	0.23
6	0.02	0.03	0.05	0.06	0.08	0.09	0.11	0.13	0.14	0.16
10	0.01	0.02	0.03	0.04	0.05	0.06	0.063	0.07	0.08	0.09
16	0.006	0.01	0.02	0.023	0.03	0.034	0.04	0.05	0.05	0.06
25	0.004	0.007	0.01	0.015	0.02	0.022	0.026	0.03	0.033	0.04
35	0.003	0.005	0.008	0.01	0.013	0.016	0.019	0.02	0.024	0.03

Where a supplementary equipotential bonding conductor has been installed between *simultaneously accessible* exposed and extraneous conductive parts, because circuit disconnection times cannot be met, then the resistance (R) of the conductor, must be equal to or less than $50/I_a$. In the case of construction sites and agricultural or horticultural installations the 50 is replaced by 25.

So, $R \leq 50/I_a$, or $25/I_a$, where 50, and 25, are the voltages above which exposed metalwork should not rise, and I_a is the minimum current causing operation of the circuit protective device within 5 secs.

For example, suppose a 45 A BS 3036 fuse protects a cooker circuit, the disconnection time for the circuit cannot be met, and so a supplementary bonding conductor has been installed between the cooker case and an adjacent central heating radiator. The resistance (R) of that conductor should not be greater than $50/I_a$, and I_a in this case is 145 A (see Figure 3.2B of the IEE Regulations), i.e.

$$50/145 = 0.34 \Omega$$

How then, do we conduct a test to establish continuity of main or supplementary bonding conductors? Quite simple really, just connect the leads from a low resistance ohmmeter to the ends of the bonding conductor (Figure 49). One end should be disconnected from its bonding clamp, otherwise any measurement may include the resistance of parallel paths of other earthed metalwork. Remember to zero or null the instrument or, if this facility is not available, record the resistance of the test leads so that this value can be subtracted from the test reading.

IMPORTANT NOTE: If the installation is in operation, then *never* disconnect main bonding conductors unless the supply can be isolated. Without isolation, persons and livestock are at risk of electric shock.

The continuity of circuit protective conductors may be established in the same way, but a second method is preferred, as the results of this second test indicate the value of $(R_1 + R_2)$ for the circuit in question.

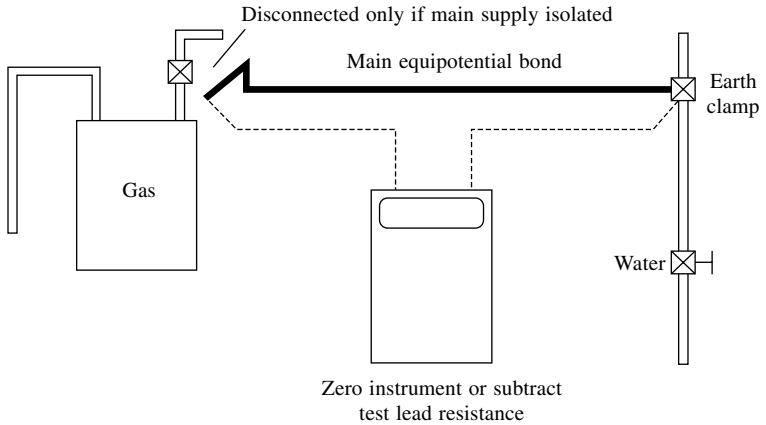


Figure 49

The test is conducted in the following manner:

1. Temporarily link together the phase conductor and CPC of the circuit concerned in the distribution board or consumer unit.
2. Test between phase and CPC at EACH outlet in the circuit. A reading indicates continuity.
3. Record the test result obtained at the furthest point in the circuit. This value is $(R_1 + R_2)$ for the circuit.

Figure 50 illustrates the above method. There may be some difficulty in determining the $(R_1 + R_2)$ values of circuits in installations that comprise steel conduit and trunking, and/or SWA and MI cables because of the parallel earth paths that are likely to exist. In these cases, continuity tests may have to be carried out at the installation stage before accessories are connected or terminations made off as well as after completion.

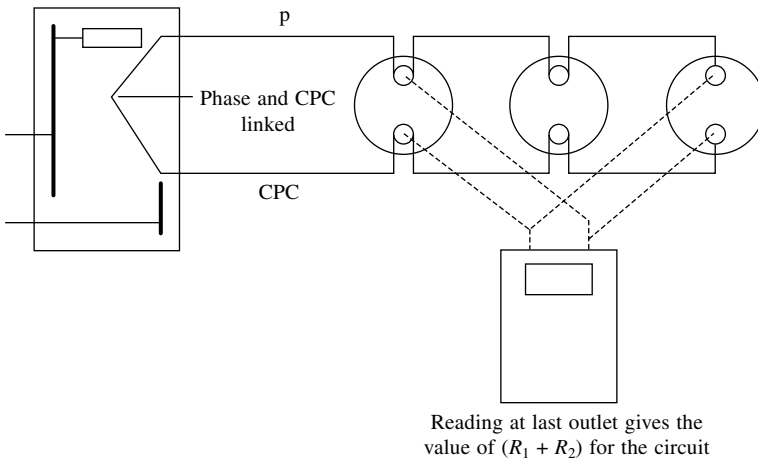


Figure 50

Although it is no longer considered good working practice to use steel conduit or trunking as a protective conductor, it is permitted, and hence its continuity must be proved. The enclosure must be inspected along its length to ensure that it is sound and then the standard low resistance test is performed. If the verifier has any doubt as to the soundness of the conductor, a further test is made using a high current test instrument which has a test voltage not exceeding 50 V and can deliver up to 1.5 times the design current of the circuit up to a maximum of 25 A. This test can cause arcing at faulty joints and hence should not be carried out if there is any chance of danger.

Continuity of ring final circuit conductors

There are two main reasons for conducting this test:

1. To establish that interconnections in the ring do not exist.
2. To ensure that the CPC is continuous, and indicate the value of $(R_1 + R_2)$ for the ring.

What then are interconnections in a ring circuit, and why is it important to locate them? Figure 51 shows a ring final circuit with an interconnection.

The most likely cause of the situation shown in Figure 51 is where a DIY enthusiast has added sockets P, Q, R and S to an existing ring A, B, C, D, E and F.

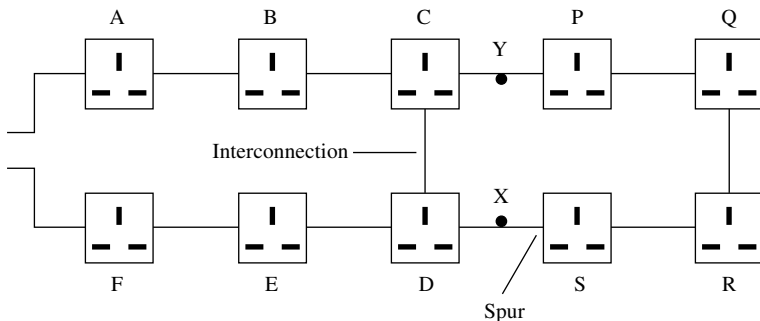
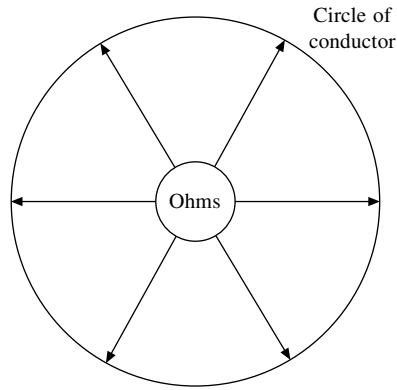


Figure 51

In itself there is nothing wrong with this. The problem arises if a break occurs at, say, point Y, or the terminations fail in socket C or P. Then there would be four sockets all fed from the point X which would then become a spur.

So, how do we identify such a situation with or without breaks at point 'Y'? A simple resistance test between the ends of the phase, neutral or circuit protective conductors will only indicate that a circuit exists, whether there are interconnections or not. The following test method is based on the philosophy that the resistance measured across any diameter of a perfect circle of conductor will always be the same value (Figure 52).



Same value whatever diameter is measured

Figure 52

The perfect circle of conductor is achieved by cross connecting the phase and neutral legs of the ring (Figure 53).

The test procedure is as follows:

1. Identify the opposite legs of the ring. This is quite easy with sheathed cables, but with singles, each conductor will have to be identified, probably by taking resistance measurements between each one and the closest socket outlet. This will give three high readings and three low readings thus establishing the opposite legs.
2. Take a resistance measurement between the ends of each conductor loop. Record this value.
3. Cross connect the opposite ends of the phase and neutral loops (Figure 54).
4. Measure between phase and neutral at each socket on the ring. The readings obtained should be, for a perfect ring, substantially the same. If an interconnection existed such as shown in Figure 51, then sockets A to F would all have similar readings, and those

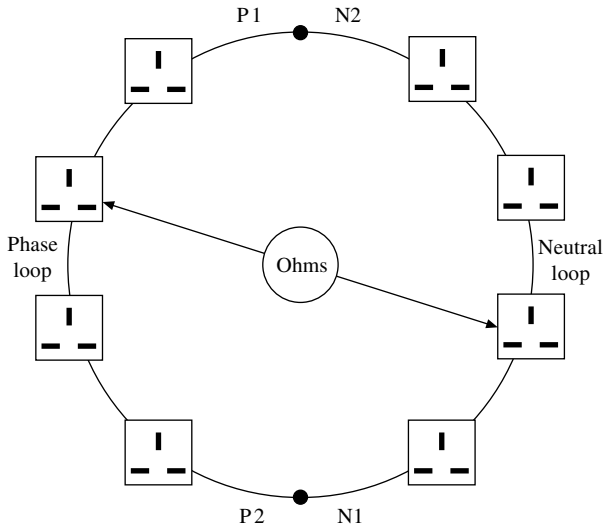


Figure 53

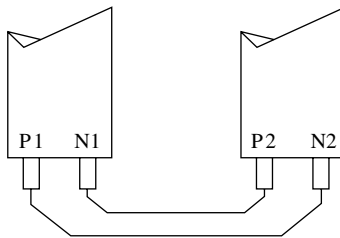


Figure 54

beyond the interconnection would have gradually increasing values to approximately the mid point of the ring, then decreasing values back towards the interconnection. If a break had occurred at point Y then the readings from socket S would increase to a maximum at socket P. One or two high readings are likely to indicate either

loose connections or spurs. A null reading, i.e. an open circuit indication, is probably a reverse polarity, either phase-CPC or neutral-CPC reversal. These faults would clearly be rectified and the test at the suspect socket(s) repeated.

- Repeat the above procedure, but in this case cross connect the phase and CPC loops (Figure 55).

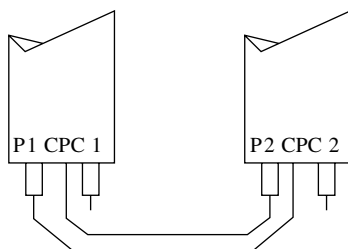


Figure 55

In this instance, if the cable is of the flat twin type, the readings at each socket will increase very slightly and then decrease around the ring. This difference, due to the phase and CPC being different sizes, will not be significant enough to cause any concern. The measured value is very important, it is $R_1 + R_2$ for the ring.

As before, loose connections, spurs and, in this case, P – N cross polarity, will be picked up.

The details in Table 3 are typical approximate ohmic values for a healthy 70 m ring final circuit wired in 2.5/1.5 flat twin and CPC

Table 3

Initial measurements	P1–P2 0.52	N1–N2 0.52	CPC 1 – CPC 2 0.86
Reading at each socket	0.26	0.26	0.32 – 0.34
For spurs, each metre in length will add the following resistance to the above values	0.015	0.015	0.02

cable. (In this case the CPC will be approximately $1.67 \times$ the P or N resistance.)

As already mentioned null readings may indicate a reverse polarity. They could also indicate twisted conductors not in their terminal housing. The examples shown in Figure 56 may help to explain these situations.

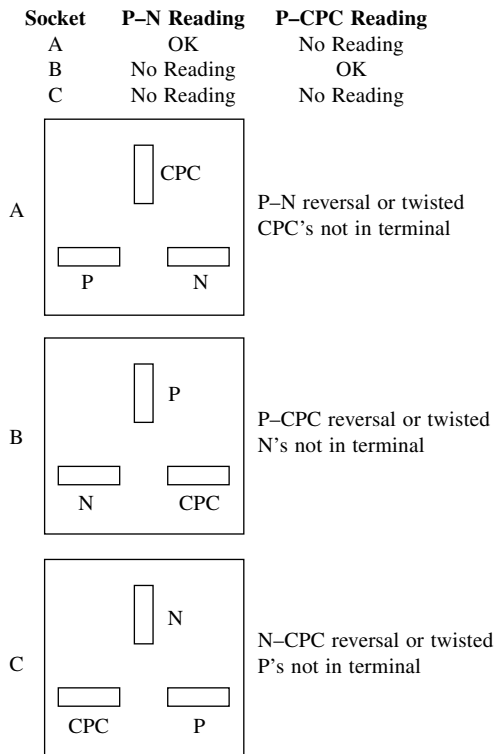


Figure 56

Insulation resistance

This is probably the most used and yet abused test of them all. Affectionately known as ‘meggering’, an *insulation resistance test* is performed in order to ensure that the insulation of conductors, accessories and equipment is in a healthy condition, and will prevent dangerous leakage currents between conductors and between conductors and earth. It also indicates whether any short circuits exist.

Insulation resistance, as just discussed, is the resistance measured between conductors and is made up of countless millions of resistances in parallel (Figure 57).

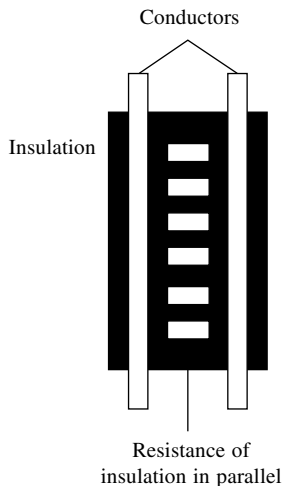


Figure 57

The more resistances there are in parallel, the *lower* the overall resistance, and in consequence, the longer a cable the lower the insulation resistance. Add to this the fact that almost all installation

circuits are also wired in parallel, it becomes apparent that tests on large installations may give, if measured as a whole, pessimistically low values, even if there are no faults.

Under these circumstances, it is usual to break down such large installations into smaller sections, floor by floor, distribution cable (sub main) etc. This also helps, in the case of periodic testing, to minimize disruption. The test procedure is as follows:

1. Disconnect all items of equipment such as capacitors and indicator lamps as these are likely to give misleading results. Remove any items of equipment likely to be damaged by the test, such as dimmer switches, electronic timers etc. Remove all lamps and accessories and disconnect fluorescent and discharge fittings. Ensure that the installation is disconnected from the supply, all fuses are in place, and circuit breakers and switches are in the on position. In some instances it may be impracticable to remove lamps etc., and in this case the local switch controlling such equipment may be left in the off position.
2. Join together all live conductors of the supply and test between this join and earth. Alternatively, test between each live conductor and earth in turn.
3. Test between phase and neutral. For three phase systems, join together all phases and test between this join and neutral. Then test between each of the phases. Alternatively, test between each of the live conductors in turn. Installations incorporating two-way lighting systems should be tested twice with the two-way switches in alternative positions.

Table 4 gives the test voltages and minimum values of insulation resistance for ELV and LV systems.

If a value of less than $2\text{ M}\Omega$ is recorded it may indicate a situation where a fault is developing, but as yet still complies with the minimum permissible value. In this case each circuit should be tested separately to find the faulty circuit.

Table 4

<i>System</i>	<i>Test voltage</i>	<i>Minimum insulation resistance</i>
SELV and PELV	250 V DC	0.25 MΩ
LV up to 500 V	500 V DC	0.5 MΩ
Over 500 V	1000 V DC	1.0 MΩ

Example

An installation comprising six circuits have individual insulation resistances of 2.5 MΩ, 8 MΩ, 200 MΩ, 200 MΩ, 200 MΩ and 200 MΩ, and so the total insulation resistance will be:

$$\begin{aligned} \frac{1}{R_t} &= \frac{1}{2.5} + \frac{1}{8} + \frac{1}{200} + \frac{1}{200} + \frac{1}{200} + \frac{1}{200} \\ &= 0.4 + 0.125 + 0.005 + 0.005 + 0.005 + 0.005 \\ &= 0.545 \end{aligned}$$

$$\begin{aligned} R_t &= \frac{1}{0.545} \\ &= 1.83 \text{ M}\Omega \end{aligned}$$

This is clearly greater than the 0.5 MΩ minimum but less than 2 MΩ, but as all circuits are greater than 2 MΩ the system could be considered satisfactory.

Polarity

This simple test, often overlooked, is just as important as all the others, and many serious injuries and electrocutions could have been prevented if only polarity checks had been carried out.

The requirements are:

1. All fuses and single pole switches are in the phase conductor.
2. The centre contact of an Edison screw type lampholder is connected to the phase conductor (E 14 and E 27, new types are E + Eupt).
3. All socket outlets and similar accessories are correctly wired.

Although polarity is towards the end of the recommended test sequence, it would seem sensible, on lighting circuits, for example, to conduct this test at the same time as that for continuity of CPCs (Figure 58).

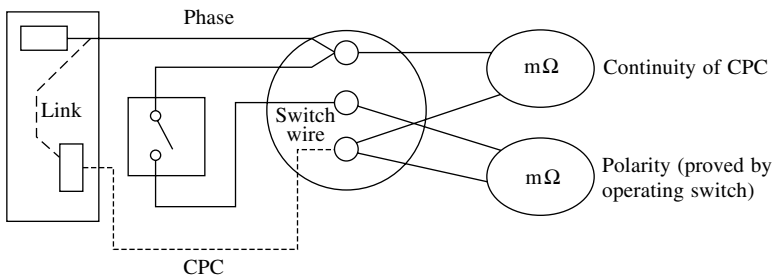


Figure 58

As discussed earlier, polarity on ring final circuit conductors, is achieved simply by conducting the ring circuit test. For radial socket outlet circuits, however, this is a little more difficult. The continuity of the CPC will have already been proved by linking phase and CPC and measuring between the same terminals at each socket. Whilst a phase-CPC reversal would not have shown, a phase-neutral reversal would, as there would have been no reading at the socket in question. This would have been remedied, and so only phase-CPC reversals need to be checked. This can be done by linking together phase and

neutral at the origin and testing between the same terminals at each socket. A phase-CPC reversal will result in no reading at the socket in question.

When the supply is connected, it is important to check that the incoming supply is correct. This is done using an approved voltage indicator at the intake position or close to it.

Earth fault loop impedance

This is very important but sadly, poorly understood. So let us remind ourselves of the component parts of the earth fault loop path (Figure 59). Starting at the point of fault:

1. The CPC.
2. The earthing conductor and earthing terminal.
3. The return path via the earth for TT systems, and the metallic

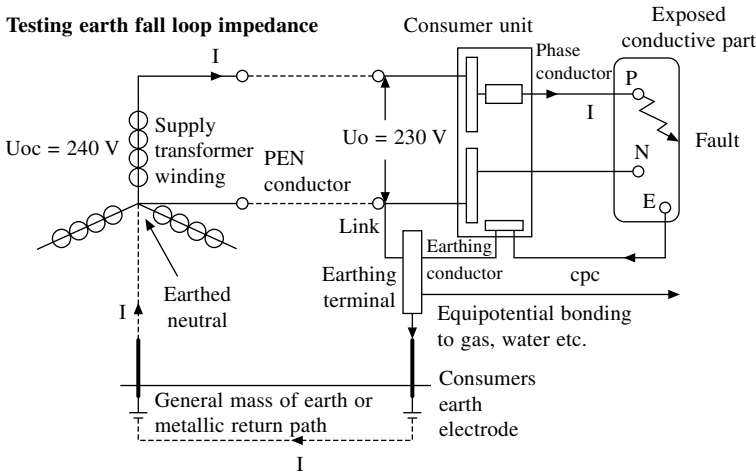


Figure 59

return path in the case of TN-S or TN-C-S systems. In the latter case the metallic return is the PEN conductor.

4. The earthed neutral of the supply transformer.
5. The transformer winding.
6. The phase conductor back to the point of fault.

Overcurrent protective devices must, under earth fault conditions, disconnect fast enough to reduce the risk of electric shock. This is achieved if the actual value of the earth fault loop impedance does not exceed the tabulated maximum values given in the IEE Regulations.

The purpose of the test, therefore, is to determine the actual value of the loop impedance (Z_s), for comparison with those maximum values, and it is conducted as follows:

1. Ensure that all main equipotential bonding is in place.
2. Connect the test instrument either by its BS 4363 plug, or the 'flying leads', to the phase, neutral and earth terminals at the remote end of the circuit under test. (If a neutral is not available, e.g. in the case of a three phase motor, connect the neutral probe to earth.)
3. Press to test and record the value indicated.

It must be understood, that this instrument reading is *not valid for direct comparison with the tabulated maximum values*, as account must be taken of the ambient temperature at the time of test, and the maximum conductor operating temperature, both of which will have an effect on conductor resistance. Hence, the ($R_1 + R_2$) could be greater at the time of fault than at the time of test.

So, our measured value of Z_s must be corrected to allow for these possible increases in temperature occurring at a later date. This requires actually measuring the ambient temperature and applying factors in a formula.

Clearly this method of correcting Z_s is time consuming and unlikely

Table 5 Values of loop impedance for comparison with test readings

Protection	Disconnection time (s)		Rating of protection																			
			5A	6A	10A	15A	16A	20A	25A	30A	32A	40A	45A	50A	60A	63A	80A	100A	125A	160A	200A	
BS 3036 fuse	0.4	Z_s max	7.5	–	–	2	–	1.38	–	0.85	–	–	0.46									
	5	Z_s max	13.9	–	–	4.1	–	3	–	2.97	–	–	1.25	–	0.87	–	–	0.42				
BS 88 fuse	0.4	Z_s max	–	6.66	4	–	2.11	1.38	1.12	–	0.82	0.64	–	0.47								
	5	Z_s max	–	10.5	5.8	–	3.27	2.28	1.8	–	1.44	1.05	–	0.82	–	0.64	0.45	0.33	0.26	0.2	0.14	
BS 1361 fuse	0.4	Z_s max	8.17	–	–	2.57	–	1.33	–	0.9	–	–	0.45									
	5	Z_s max	12.8	–	–	3.9	–	2.19	–	1.44	–	–	0.75	0.54	–	0.39	0.28					
BS 3871 MCB Type 1	0.4 & 5	Z_s max	9	7.5	4.5	3	2.81	2.25	1.8	1.5	1.41	1.12	1	0.9	–	0.71						
BS 3871 MCB Type 2	0.4 & 5	Z_s max	5.14	4.28	2.57	1.71	1.6	1.28	1.02	0.85	0.8	0.64	0.57	0.51	–	0.4						
BS 3871 MCB Type 3	0.4 & 5	Z_s max	3.6	3	1.8	1.2	1.12	0.9	0.72	0.6	0.56	0.45	0.4	0.36	–	0.28						
BS EN 60898 CB Type B	0.4 & 5	Z_s max	–	6	3.6	–	2.25	1.8	1.44	–	1.12	0.9	0.8	0.72	–	0.57						
BS EN 60898 CB Type C	0.4 & 5	Z_s max	3.6	3	1.8	1.2	1.12	0.9	0.72	0.6	0.56	0.45	0.4	0.36	–	0.28						
BS EN 60898 CB Type D	0.4 & 5	Z_s max	1.8	1.5	0.9	0.6	0.56	0.45	0.36	0.3	0.28	0.22	0.2	0.18	–	0.14						

to be commonly used. Hence, a rule of thumb method may be applied which simply requires that the measured value of Z_s does not exceed $3/4$ of the appropriate tabulated value. Table 5 gives the $3/4$ values of tabulated loop impedance for direct comparison with measured values.

In effect, a loop impedance test places a phase/earth fault on the installation, and if an RCD is present it may not be possible to conduct the test as the device will trip out each time the loop impedance tester button is pressed. Unless the instrument is of a type that has a built-in guard against such tripping, the value of Z_s will have to be determined from measured values of Z_e and $(R_1 + R_2)$, and the $3/4$ rule applied.

IMPORTANT NOTE: Never short out an RCD in order to conduct this test.

As a loop impedance test creates a high earth fault current, albeit for a short space of time, some lower rated MCBs may operate resulting in the same situation as with an RCD, and Z_s will have to be calculated. It is not really good practice temporarily to replace the MCB with one of a higher rating.

External loop impedance Z_e

The value of Z_e is measured at the intake position on the supply side and with all main equipotential bonding disconnected. Unless the installation can be isolated from the supply, this test should not be carried out, as a potential shock risk will exist with the supply on and the main bonding disconnected.

Prospective fault current (PFC)

This would normally be carried out at the same time as the measurement for Z_e using a PFC or PSCC (prospective short circuit current) tester. If this value cannot be measured it must be ascertained by either enquiry or calculation.

Be sure to follow the instrument manufacturers' instructions. Measure I_{pf} phase to neutral, if 3 leads, place N/protective conductors on neutral bar (for typical instruments). Record highest reading and allow for 3 phase voltage where I_{pf} (short circuit current) is approximately $\times 2$.

Earth electrode resistance

In many rural areas, the supply system is TT and hence reliance is placed on the general mass of earth for a return path under earth fault conditions. Connection to earth is made by an electrode, usually of the rod type, and preferably installed as shown in Figure 60.

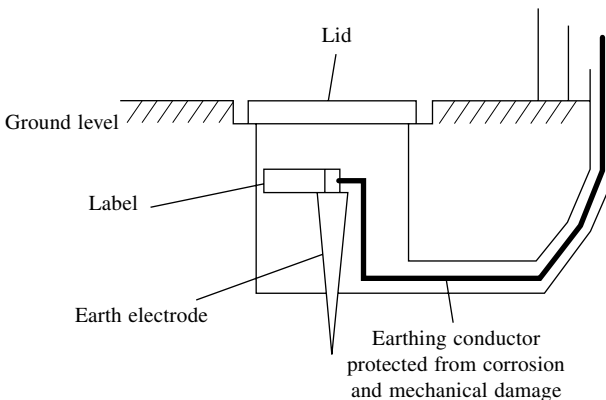


Figure 60

In order to determine the resistance of the earth return path, it is necessary to measure the resistance that the electrode has with earth. If we were to make such measurements at increasingly longer distances from the electrode, we would notice an increase in resistance up to about 2.5–3 m from the rod, after which no further increase in resistance would be noticed (Figure 61).

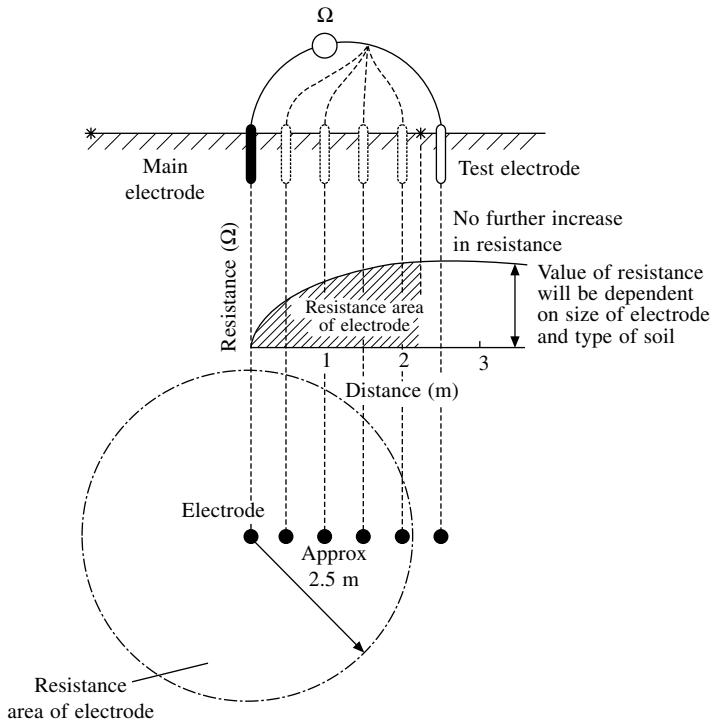


Figure 61

The maximum resistance recorded is the electrode resistance and the area that extends the 2.5–3 m beyond the electrode is known as the earth electrode resistance area.

There are two methods of making the measurement, one using a proprietary instrument, and the other using a loop impedance tester.

Method 1 – protection by overcurrent device

This method is based on the principle of the potential divider (Figure 62).

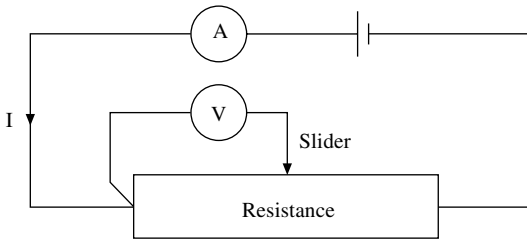


Figure 62

By varying the position of the slider the resistance at any point may be calculated from $R = V/I$.

The earth electrode resistance test is conducted in a similar fashion, with the earth replacing the resistance and a potential electrode replacing the slider (Figure 63). In Figure 63 the earthing conductor to the electrode under test is temporarily disconnected.

The method of test is as follows:

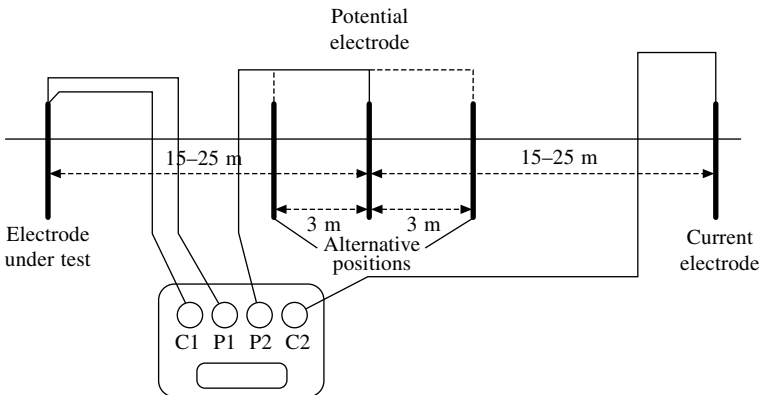


Figure 63

1. Place the current electrode (C2) away from the electrode under test, approximately 10 times its length, i.e. 30 m for a 3 m rod.
2. Place the potential electrode mid way.
3. Connect test instrument as shown.
4. Record resistance value.
5. Move the potential electrode approximately 3 m either side of the mid position, and record these two readings.
6. Take an average of these three readings (this is the earth electrode resistance).
7. Determine the maximum deviation or difference of this average from the three readings.
8. Express this deviation as a percentage of the average reading.
9. Multiply this percentage deviation by 1.2.
10. Provided this value does not exceed a figure of 5% then the accuracy of the measurement is considered acceptable.

If three readings obtained from an earth electrode resistance test were 181 Ω , 185 Ω and 179 Ω . What is the value of the electrode resistance and is the accuracy of the measurement acceptable?

$$\begin{aligned}\text{Average value} &= \frac{181 + 185 + 179}{3} \\ &= 181.67 \Omega\end{aligned}$$

$$\begin{aligned}\text{Maximum deviation} &= 185 - 181.67 \\ &= 3.33\end{aligned}$$

$$\begin{aligned}\text{Expressed as a percentage of the average} &= \frac{3.33 \times 100}{181.67} \\ &= 1.83\%\end{aligned}$$

$$\begin{aligned}\text{Measurement accuracy} &= 1.83\% \times 1.2 = 2.2\% \\ &\text{(which is acceptable)}\end{aligned}$$

For TT systems the result of this test will indicate compliance if the product of the electrode resistance and the operating current of the overcurrent device does not exceed 50 V.

Method 2 – protection by a residual current device

In this case, an earth fault loop impedance test is carried out between the incoming phase terminal and the electrode (a standard test for Z_e).

The value obtained is added to the CPC resistance of the protected circuits and this value is multiplied by the operating current of the RCD. The resulting value should not exceed 50 V. If it does, then Method 1 should be used to check the actual value of the electrode resistance.

Functional testing

RCD RCBO operation

Where RCDs RCBOs are fitted, it is essential that they operate within set parameters. The RCD testers used are designed to do just this, and the basic tests required are as follows:

1. Set the test instrument to the rating of the RCD.
2. Set the test instrument to half rated trip.
3. Operate the instrument and the RCD should not trip.
4. Set the instrument to deliver the full rated tripping current of the RCD.
5. Operate the instrument and the RCD should trip out in the required time.

Table 6

<i>RCD type</i>	<i>1/2 rated</i>	<i>Full trip current</i>
BS 4239 and BS 7288 sockets	No trip	< 200 ms
BS 4239 with time delay	No trip	1/2 time delay + 200 ms-time delay + 200 ms
BS EN 61009 or BS EN 61009 RCBO	No trip	300 ms
As above but Type S with time delay	No trip	130–500 ms

There seems to be a popular misconception regarding the ratings and uses of RCDs in that they are the panacea for all electrical ills and the only useful rating is 30 mA!!

Firstly, RCDs are not fail safe devices, they are electro-mechanical in operation and can malfunction. Secondly, general purpose RCDs are manufactured in ratings from 5 mA to 100 mA and have many uses. Let us first deal with RCDs rated at 30 mA or less. The accepted lethal level of shock current is 50 mA and hence RCDs rated at 30 mA or less would be appropriate for use where shock is an increased risk. BS 7671 indicates that RCDs of 30 mA or less should be used in the following situations:

1. To protect circuits supplying hand held equipment outside the equipotential zone.
2. To protect all socket outlet circuits in a TT system installation.
3. To protect all socket outlets in a caravan park.
4. To provide supplementary protection against direct contact.
5. For fixed current using equipment in bathrooms.

In all these cases and apart from conducting the tests already mentioned, it is required that the RCD be injected with a current five times its operating current and the tripping time should not exceed 40 ms.

Where loop impedance values cannot be met, RCDs of an appropriate rating can be installed. Their rating can be determined from

$$I_{\Delta n} = 50/Z_s$$

where $I_{\Delta n}$ is the rated operating current of the device
50 is the touch voltage
 Z_s is the measured loop impedance

RCDs can also be used for:

1. Discrimination, e.g. a 100 mA device to protect the whole installation and a 30 mA for the sockets.
2. Protection against fire use, say, a 500 mA device.

All RCDs have a built-in test facility in the form of a test button. Operating this test facility creates an artificial out of balance condition that causes the device to trip. This only checks the mechanics of the tripping operation, it is not a substitute for the tests just discussed.

All other items of equipment such as switchgear, controlgear interlocks etc., must be checked to ensure that they are correctly mounted and adjusted and that they function correctly.

Prospective short circuit current

If we are able to remove all the protective devices in a system and connect a shorting link between phase and neutral conductors, the resulting current that would flow at the point where the link was placed is known as the prospective short circuit current (PSCC). This is all very interesting, you may comment, but why would one need to know all this information?

When a short circuit occurs, the device protecting the circuit in question has to open that circuit. If the device is incorrectly selected, a violent and possibly damaging explosion could result. We have probably all experienced the loud bang and resulting blackened and molten copper splattered fuse holders that often occur with rewirable fuses.

Each protective device has a rated breaking capacity, which indicates the level of PSCC that it can interrupt without arcing or scattering of hot particles or damage to associated conductors. For example, rewirable fuses to BS 3036 ranging between 5 A and 200 A have breaking capacities ranging from 1000 A to 12 000 A, and HRC BS 88 types from 10 000 A to 80 000 A. MCBs to BS 3871 (now obsolete but still in use) are designed for one fault level irrespective of size, and have ranges of 1000 A (M1), 1500 A (M1.5), 3000 A (M3),

4500 A (M4.5), 6000 A (M6), and 9000 A (M9). MCBs to BS EN 60898 (European standard) have two ratings: I_{cn} and I_{cs} . I_{cn} is the rating of fault current after which the breaker should not be used, and I_{cs} is the fault rating after which the breaker is assumed to be able to be used without loss of performance.

So it is important to ensure that the breaking capacity of a protective device is capable of interrupting at least the prospective short circuit current at the point at which it is installed; hence the need to measure this current.

The type of instrument most commonly used is a dual device which also measures earth fault loop impedance. It is simply connected or plugged into the circuit close to the point of protection, a button pushed and the PSCC value read.

It is not always necessary to test at every point at which a protective device is installed, if the breaking capacity of the lowest rated device in the circuit is greater than the PSCC at the origin. In Figure 64, clearly if the breaking capacity of the 20 A protective device at Y is greater than the PSCC at X, then there is no need to test at the other DBs as the protection there will have even greater breaking capacities than the 20 A device.

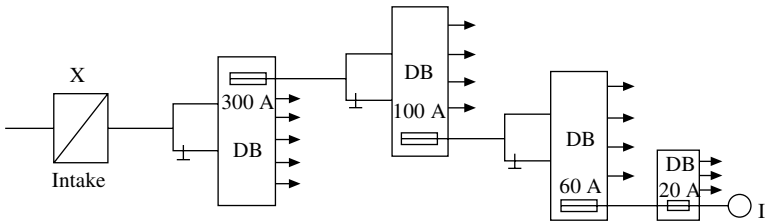


Figure 64

4 *Fault finding*

Starting this chapter has been as difficult as finding a fault on a complex system. The old adage of ‘start at the beginning and finish at the end’ is all right for story tellers or authors of technical books, but is not always sensible for fault finders! Perhaps it would be wise to begin by determining what exactly a fault is.

A fault is probably best defined as a disturbance in an electrical system of such magnitude as to cause a malfunction of that system. It must be remembered, of course, that such disturbances may be the secondary effects of mechanical damage or equipment failure. Actual electrical faults, or should one say faults that are caused by ‘electricity’, are rare and are confined in the main to bad design and/or installation or deterioration and ageing.

However, all of this still does little to indicate where to begin looking for a fault. Only experience will allow one to pinpoint the exact seat of a breakdown, but a logical approach to fault finding will save a great deal of time and frustration.

Signs and symptoms

Always look for tell-tale signs that may indicate what kind of fault has caused the system breakdown. If possible, ask persons present to describe the events that led up to the fault. For example, inspection of a rewirable fuse may reveal one of the conditions shown in Figures 65 and 66.

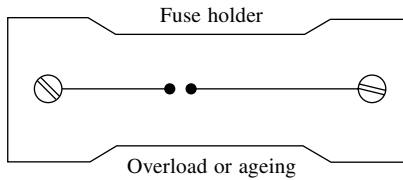


Figure 65

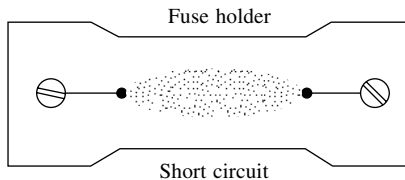


Figure 66

The IEE Wiring Regulations define overload and short circuit current as follows.

Overload current An overcurrent occurring in a circuit which is electrically sound.

Short circuit current An overcurrent resulting from a fault of negligible impedance between live conductors having a difference in potential under normal operating conditions.

It is likely that other personnel will have replaced fuses or reset MCBs to no avail before you, the tester, are called in. In these circumstances they will be in a position to indicate that protective devices trip immediately or after a delay. This at least will give some clue to the type of fault.

Let us now consider typical faults on some of the systems already discussed in this book, and endeavour to suggest some solutions. Remember, however, that it is impossible to catalogue every fault and its cause that may occur in every system.

Ring and radial socket outlet circuits

Reported fault

‘My fuse/MCB blows at odd unspecified times during the day, with no particular appliance plugged in to any particular socket.’

Diagnosis

1. This could be incorrect fusing, but that is unlikely because then the fault would always have been present. It is probably an insulation breakdown.
2. Conduct an insulation resistance test. If the reading is low, then:
3. Go to the centre of the circuit and disconnect the socket; disconnect the ends in the fuse board if the circuit is a ring; and test in both directions.
4. Probably only one side will indicate a fault, so subdivide. Keep testing and subdividing until the faulty cable section or socket is located.

New ring final circuit installations

In Chapter 3 three methods are described for testing the continuity of the final conductors. The purpose is to locate interconnections in the ring. Should such an interconnection prove to exist, its position in the ring must be located. Methods 1 and 2 will indicate a fault, but location is achieved by systematically removing sockets to find the interconnection. Method 3 will give an indication of the location of the fault because tests on sockets nearest to the fuse board will give similar readings, whereas those beyond the interconnection will be considerably different.

Radial circuits feeding fixed equipment

Reported fault

‘Every time I start my hydraulic press, the fuse blows in the board.’

Diagnosis

1. This is probably a fault on the press motor windings or the starter.
A supply cable fault would normally operate the protection without an attempt to start the motor.
2. Check the starter for obvious signs of damage, burning etc. If it seems all right, then:
3. Do an insulation resistance test on the motor windings.

Reported fault

‘The MCB that protects my roof extraction fan has tripped out and will not reset even with the fan switch off.’

Diagnosis

This is almost certainly a cable fault. Do an insulation resistance test. If a fault is indicated, start looking!

Cable fault location

The comment ‘start looking’ in the last example is quite acceptable for shortish, accessible cable runs and where some sign of damage is evident. However, for longer, hidden cable routes, especially underground, visual location is impossible. In these instances special tests must be applied, such as the following.

Murray loop test

This test and its variations are based on the principle of the Wheatstone bridge. It is used for the location of short circuit faults.

In Figure 67, when the variable resistances are adjusted such that the reading on the ammeter is zero, it will be found that

$$A/B = C/D$$

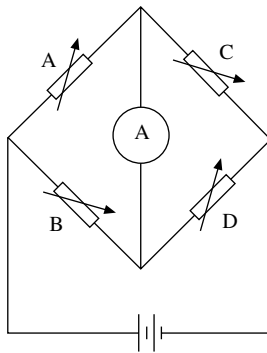


Figure 67

Let us now replace resistors *C* and *D* with the same cores of a faulty cable (Figure 68). The ratios will be the same, as resistance is proportional to length. A link is placed between a sound core and a faulty core. It will be seen that now *C* is replaced by $L + (L - X)$, and *D* by X , so that a greater accuracy can be achieved if the test is then repeated at the other end of the cable and the mean position of X is taken as the point of fault.

$$A/B = [L + (L - X)]/X$$

Hence

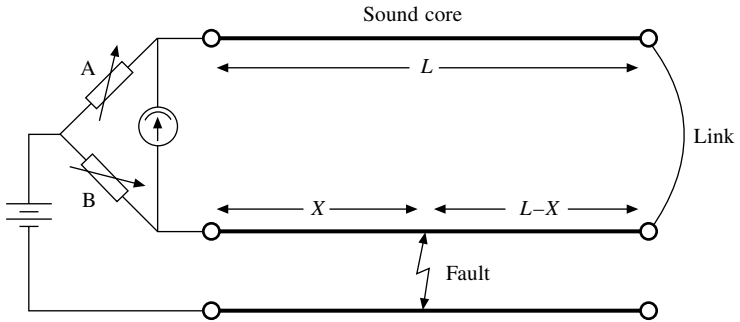


Figure 68

$$A/B = (2L - X)/X$$

$$AX = 2LB - BX$$

$$AX + BX = 2LB$$

$$X(A + B) = 2LB$$

$$X = \frac{2LB}{A + B}$$

Variable resistors *A* and *B* are usually incorporated in a single bridge instrument, and the resistances are adjusted for a zero reading.

Emergency lighting

There is not a lot to go wrong with these systems other than the cable faults and internal failure of the unit. Cable faults are located in the way previously described; however, do not conduct insulation resistance tests with the unit still connected, or the internal electronic circuitry may be damaged.

Individual units have LED that indicates a healthy state of charge. If this is out,

1. check the mains supply. If it is all right, then
2. check the output of the charging unit at the battery terminals. If this is all right, check the battery separately.

If the LED is lit but the emergency light does not function when the mains supply is removed, check the lamps. If these are functioning, the circuitry is probably faulty.

Security and fire alarm systems

Fire alarm systems have to be inspected at regular intervals and hence tend to be very reliable. The most common faults in such systems are false operation of heat or smoke detectors, perhaps owing to a change in the use of the protected area since they were first installed, or a break in the sensor cable. As the continuity of these cables is monitored, any fault will bring up a fault condition on the main panel. Simple continuity tests on cable between sensors should reveal the broken section.

Security systems are somewhat similar in that faults on cables or sensors will bring up an alarm condition on the main panel. Remove the ends of the zone in question and insert a shorting link. If the alarm still activates when switched on, a fault in the internal circuitry is indicated. If not, start at the middle of a zone and work back to the panel, similar to the procedure used on ring/radial circuits, until the faulty cable or sensor is found.

Call systems

The faults on these systems, once again, are broadly similar to those on alarm systems.

Reported fault

‘The patient in room 42 pushes the call button but nothing happens.’

Diagnosis

This is either a faulty push button, a break in the cable, or a defective relay or electronic component. Trial and error is the rule here: check out the simple and obvious first before taking the control panel apart.

Central heating systems

The most difficult faults to locate are those that occur during the commissioning of a newly installed system, and are almost always due to incorrect wiring. Naturally, not all the faults that could occur on all the available systems can be detailed, but there are one or two common mistakes that are worth mentioning:

1. The CH is selected but the HW comes on, and vice versa. This is simply a reversal of the CH and HW feeds in the programmer.
2. On a mid-position valve system, a reversal of the leads to the demand and satisfy terminals in the cylinder thermostat will cause various incorrect sequences depending on which heating options have been chosen.

On one occasion, the author installed the control wiring for a CH system, and was perplexed when the room thermostat operated the HW and the cylinder thermostat operated the CH. Much tearing of hair followed, as the system wiring proved to be correct. Some while later it was discovered that the DIY householder had installed the mid-position valve back-to-front.

With existing systems, faults tend to be confined to equipment failure such as defective programmers, valves and pumps. Once again it must be stressed that fault location on such systems is eased considerably when the system is fully understood, and this generally comes with experience.

Motor starter circuits

The usual cable faults we have already discussed must of course be considered, but faults in the starter itself are usually confined to coil failure or contact deterioration.

Coil failure

If this should occur the motor will not start, for the obvious reason that the control circuit is defective.

Reported fault

‘Everything was all right this morning – the motor was running – but this afternoon everything just stopped, and will not start up again.’

Diagnosis

Could be operation of circuit protection, coil failure or overload operation due to a motor fault or excessive mechanical loading.

1. Check overloads. If they have operated, carry out insulation resistance test on motor windings. If all OK, then
2. Check circuit protection. If all OK, then fault is probably coil

failure. This can be verified by testing the coil, or holding in the contactor manually.

Contact deterioration

Here is one of the few genuine faults caused by the effects of ‘electricity’. Over time, constant operation with its attendant arcing will burn and pit the surface of contacts. This can lead to poor connection between the faces, or even the complete destruction of the contacts.

Reported fault

‘We shut down the conveyor for lunch, and when we try to start it up again, it only works if we keep the start button in.’

Diagnosis

1. This is clearly a ‘hold-on’ circuit fault. The coil must be OK or the conveyor would not work.
2. Check the continuity across the hold-on contacts with the contactor depressed manually (supply isolated of course). If open circuit is found, strip the contactor and investigate.

Protection faults

Other causes of motor circuit failure often result from incorrect protection – fuses, MCBs or overloads – or incorrect reconnection after motor replacement.

Motors may take as much as eight times their normal rated current on starting. If the protection is of the wrong type or size, or is set incorrectly, it will operate.

Fuses

Use a motor rated fuse, usually BS 88. These are easily recognizable, as the rating has a prefix M, e.g. M20 is a 20 A motor rated fuse. They are designed to cater for high starting currents.

MCBs

These range from the now obsolete BS 3871 types 1, 2 and 3 to the latest BS EN 60898 types A, B, C and D. Types 1, 2, A and B are usually too sensitive to handle starting currents, so types 3, C and D are preferred.

Overloads

These are adjustable and their ratings must be suitable for the full load of the motor. Ensure that the overload has been selected to the correct rating. Note: do not attempt to uprate a protective device just because it keeps operating. It is likely that the wrong type rather than the wrong size was initially installed.

Motor replacement

If a motor has been diagnosed as being faulty, and is either repaired or replaced, always ensure that the reconnection to the motor terminals is correct. A reversal of any two of the connections to a three phase direct-on-line motor will reverse its direction of rotation, and a reversal of the connections to the windings of a star-delta motor could have serious implications for the motor together with operation of protective devices.

Figures 69 and 70 show the terminal arrangements for a six terminal motor and the correct winding connections.

If the connections to any winding are reversed, the magnet fields

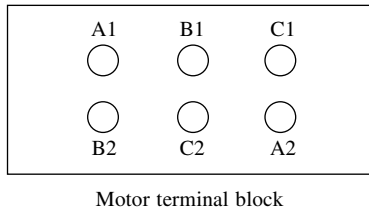


Figure 69

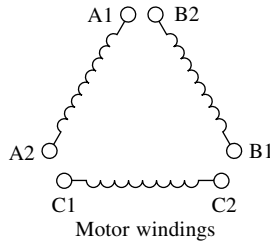


Figure 70

will work against each other and a serious overload will occur, especially when the starter changes the motor windings to the delta configuration. For example, never allow A2 to be connected to B2 and A1 to C1.

Conclusion – and a cautionary tale

Finally, it must be reiterated that successful and efficient fault finding has its basis in experience. However, for the beginner, use a logical and methodical approach, ask questions of the customer or client, and use some common sense. This in itself will often provide the clues for the diagnosis of system failure.

Once upon a time there was a young electrical apprentice (who shall remain nameless), who was doing a little wiring job (not private,

of course). The customer asked the apprentice, while he was there, to investigate whether a cracked socket needed replacing. Of course he agreed to (thinking: 'extras!'), and proceeded to undo the socket without isolating. There was a pop and a flash and the ring circuit fuse operated. 'Silly me,' he thought, 'I'll just repair the fuse, I must have shorted something out in the socket.' 'Hold on,' thought he, 'do this properly: never replace a fuse until the circuit has been checked first.'

An insulation resistance test seemed to be the order of the day, so naturally all appliances were removed from the ring and the test applied. It showed a phase neutral short circuit. 'Oh! bother' (or some such expletive), he muttered, 'Where do I start?'

Unfortunately the ring circuit was wired in the form of junction boxes in the upstairs floor void with single drops down to each socket. Splitting the ring meant gaining access to those JB's. Needless to say there were fitted carpets and tongued and grooved floorboards, and no access traps.

Five hours later, with carpets and floorboards up everywhere and a puzzled customer who did not understand such an upheaval to replace a cracked socket, the faulty drop was found. The apprentice ran downstairs but could not immediately find the associated socket outlet. It was there of course, in a cupboard, and next to it was a fridge with a door like a cupboard door, and naturally the fridge was plugged into the socket. 'Heavens above!' and 'flip me' said the apprentice, 'I wish I had asked the customer if there were any appliances I had missed. Worse than that, how do I explain this one away?' Well, needless to say, he did, using the most impressive technical jargon, and vowed never to make the same mistake again.

Appendix: Shock risk, safe isolation and basic electrical theory

Shock risk

As we have seen in Chapter 1, all who are involved with electrical systems are ‘Duty holders’ in Law. For those operatives who have only a limited knowledge of electricity, but are nevertheless charged with their company’s appliance testing, an understanding of electric shock will help to give more meaning and confidence to the inspection and test process.

Electric shock

This is the passage of current through the body of such magnitude as to have significant harmful effects. Figure A.1 illustrates the generally accepted effects of current passing through the human body. How, then, are we at risk of electric shock and how do we protect against it?

1 mA–2 mA	Barely perceptible, no harmful effects
5 mA–10 mA	Throw off, painful sensation
10 mA–15 mA	Muscular contraction, can’t let go
20 mA–30 mA	Impaired breathing
50 mA and above	Ventricular fibrillation and death

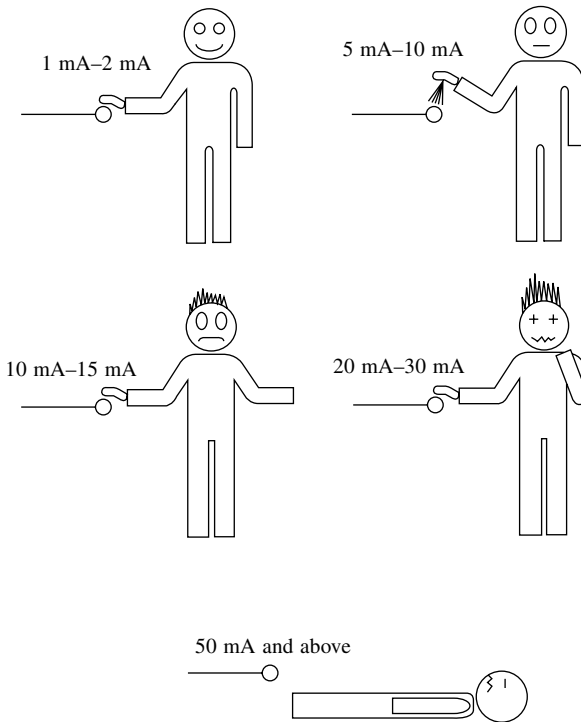


Figure A.1

There are two ways in which we can be at risk.

1. Touching live parts of equipment or systems that are intended to be live. This is called **direct contact**.
2. Touching conductive parts which are not meant to be live, but which have become live due to a fault. This is called **indirect contact**.

The conductive parts associated with indirect contact can either be metalwork of electrical equipment and accessories (class 1) and that of electrical wiring systems (e.g. metal conduit and trunking), called **exposed conductive** parts, or other metalwork (e.g. pipes, radiators and girders), called **extraneous conductive** parts.

Protection against direct contact

How can we prevent danger to persons and livestock from contact with intentionally live parts? Clearly we must minimize the risk of such contact and this can be achieved by

- insulating any live parts
- ensuring any uninsulated live parts are housed in suitable enclosures and/or are behind barriers.

The use of a residual current device (RCD) cannot prevent direct contact, but it can be used to supplement any of the other measures taken, provided that its rating, I_n , is 30 mA or less and has a tripping time of not more than 40 ms at an operating current of $I_n \times 5$.

It should be noted that RCDs are not the panacea for all electrical ills, they can malfunction, but they are a valid and effective back-up to the other methods. They must not be used as the sole means of protection.

Protection against indirect contact

How can we protect against shock from contact with live, exposed or extraneous conductive parts whilst touching earth, or from contact between live exposed and/or extraneous conductive parts? The most common method is by earthed equipotential bonding and automatic disconnection of supply (EEBADS).

All extraneous conductive parts are joined together with a main equipotential bonding conductor and connected to the main earthing terminal, and all exposed conductive parts are connected to the main earthing terminal by the circuit protective conductors. Add to this, overcurrent protection that will operate fast enough when a fault occurs and the risk of severe electric shock is significantly reduced.

What is earth and why and how we connect to it

The thin layer of material which covers our planet – rock, clay, chalk or whatever – is what we in the world of electricity refer to as earth. So, why do we need to connect anything to it? After all, it is not as if earth is a good conductor.

It might be wise at this stage to investigate potential difference (PD). A PD is exactly what it says is: a difference in potential (volts). In this way, two conductors having PDs of, say, 20 V and 26 V have a PD between them of $26 - 20 = 6$ V. The original PDs (i.e. 20 V and 26 V) are the PDs between 20 V and 0 V and 26 V and 0 V. So where does this 0 V or zero potential come from? The simple answer is, in our case, the earth. The definition of earth is, therefore, the conductive mass of earth, whose electric potential at any point is conventionally taken as zero.

Thus, if we connect a voltmeter between a live part (e.g. the phase conductor of a socket outlet) and earth, we may read 230 V; the conductor is at 230 V and the earth at zero. The earth provides a path to complete the circuit. We would measure nothing at all if we connected our voltmeter between, say, the positive 12 V terminal of a car battery and earth, as in this case the earth plays no part in any circuit.

Figure A.2 illustrates this difference.

So, a person in an installation touching a live part whilst standing on the earth would take the place of the voltmeter and could suffer a severe electric shock. Remember that the accepted lethal level of shock current passing through a person is only 50 mA or 1/20 A.

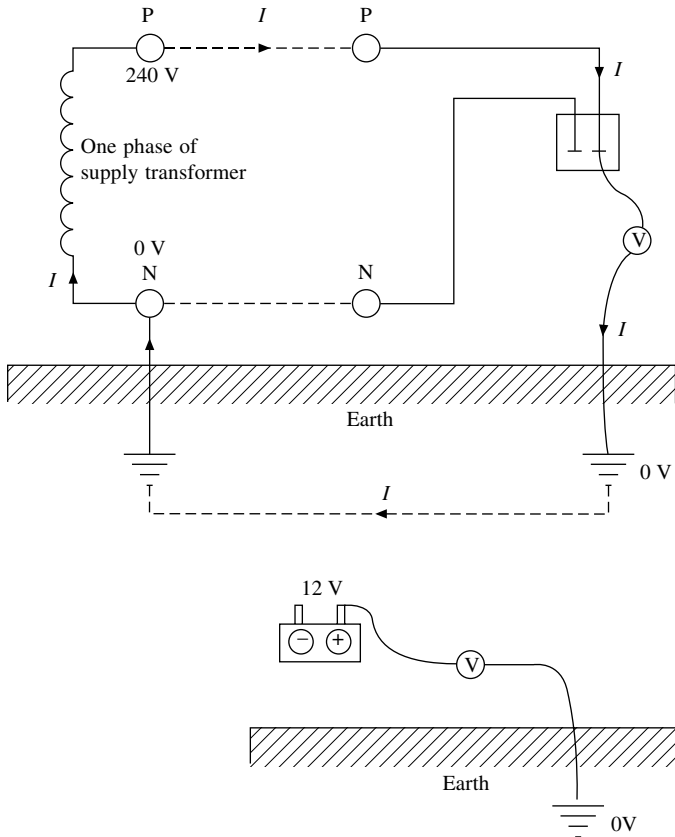


Figure A.2

The same situation would arise if the person were touching a faulty appliance and a gas or water pipe (Figure A.3).

One method of providing some measure of protection against these effects is, as we have seen, to join together (bond) all metallic parts and connect them to earth. This ensures that all metalwork in a healthy installation is at or near 0 V and, under fault conditions, all metalwork will rise to a similar potential. So, simultaneous contact

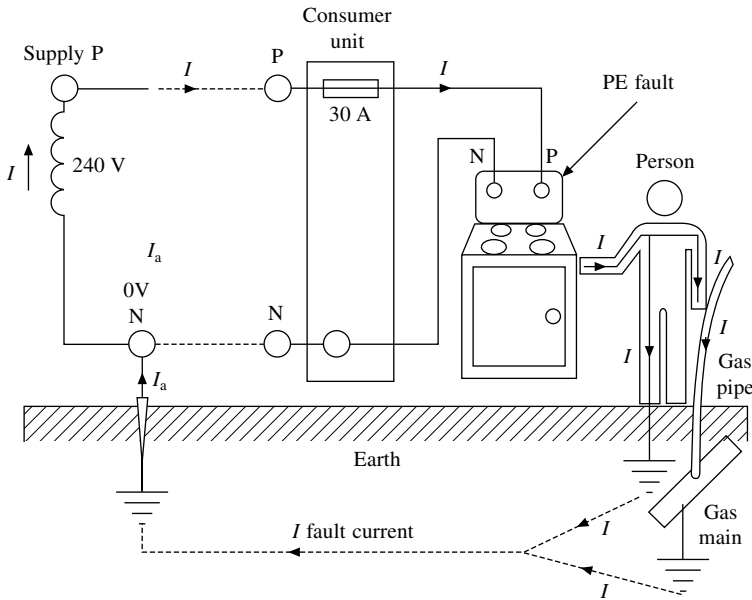


Figure A.3

with two such metal parts would not result in a dangerous shock, as there would be no significant PD between them.

Unfortunately, as mentioned, earth itself is not a good conductor, unless it is very wet. Therefore, it presents a high resistance to the flow of fault current. This resistance is usually enough to restrict fault current to a level well below that of the rating of the protective device, leaving a faulty circuit uninterrupted. Clearly this is an unhealthy situation.

In all but the most rural areas, consumers can connect to a metallic earth return conductor, which is ultimately connected to the earthed neutral of the supply. This, of course, presents a low-resistance path for fault currents to operate the protection.

In summary, connecting metalwork to earth, places that metal at or near zero potential and bonding between metallic parts puts such

parts at a similar potential even under fault conditions. Add to this, a low-resistance earth fault return path, which will enable the circuit protection to operate very fast, and we have significantly reduced the risk of electric shock.

We can see from this how important it is to check that equipment earthing is satisfactory and that there is no damage to conductor insulation.

Safe isolation of supplies

Before any work is undertaken on low voltage (50 V to 1000 V ac) installations, supplies should be isolated and proved dead, the procedure is as follows:

1. Identify the circuit or item to be worked on
2. Switch off/isolate, and lock off or place warning notices if locking is not available
3. Select a suitable voltage indicator check that it works, on a known supply
4. Test that the circuit or equipment is dead using the tester
5. Re-check the tester on the known supply again.

Never assume or take someone else's word that supplies are dead and safe to work on. Always check for yourself.

Basic electrical theory

This section has been added in order to jog the memory of those who have some electrical background and to offer a basic explanation of theory topics within this book for those relatively new to the subject.

Electrical quantities and units:

<i>Quantity</i>	<i>Symbol</i>	<i>Units</i>
Current	I	Ampere (A)
Voltage	V	Volt (V)
Resistance	R	Ohm (Ω)
Power	P	Watt (W)

Current

This is the flow of electrons in a conductor.

Voltage

This is the electrical pressure causing the current to flow.

Resistance

This is the opposition to the flow of current in a conductor determined by its length, cross sectional area, and temperature.

Power

This is the product of current and voltage, hence $P = I \times V$.

Relationship between voltage, current and resistance

Voltage = Current \times Resistance

Current = Voltage/Resistance

Resistance = Voltage/Current

$V = I \times R$ or,

$I = V/R$ or,

$R = V/I$

Common multiples of units

Current I amperes	kA	mA
	kilo-amperes	milli-amperes
	1000 amperes	1/1000 of an ampere
Voltage V volts	kV	mV
	kivolts	millivolts
	1000 volts	1/1000 of a volt
Resistance R ohms	MW	mΩ
	megohms	milli-ohms
	1 000 000 ohms	1/1000 of an ohm
Power P watts	MW	kW
	megawatt	kilowatt
	1 000 000 watts	1000 watts

Resistance in series

These are resistances joined end to end in the form of a chain. The total resistance increases as more resistances are added (Figure A.4).

Hence, if a cable length is increased, its resistance will increase in proportion. For example, a 100 m length of conductor has twice the resistance of a 50 m length of the same diameter.

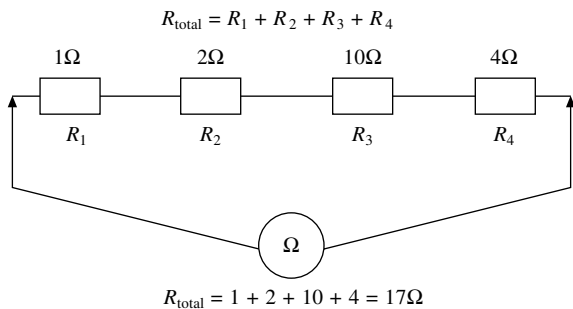
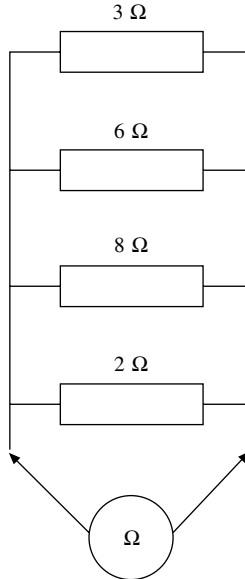


Figure A.4

Resistance in parallel

These are resistances joined like the rungs of a ladder. Here the total resistance decreases the more there are (Figure A.5).

$$1/R_{\text{total}} = 1/R_1 + 1/R_2 + 1/R_3 + 1/R_4$$



$$\begin{aligned} 1/R_{\text{total}} &= 1/R_1 + 1/R_2 + 1/R_3 + 1/R_4 \\ &= 1/3 + 1/6 + 1/8 + 1/2 \\ &= 0.333 + 0.167 + 0.125 + 0.5 \\ \therefore R_{\text{total}} &= 1/1.125 \end{aligned}$$

Figure A.5

The insulation between conductors is in fact countless millions of very high value resistances in parallel. Hence an increase in cable length results in a decrease in insulation resistance. This value is measured in millions of ohms, i.e. megohms (MΩ).

The overall resistance of two or more conductors will also decrease if they are connected in parallel (Figure A.6).

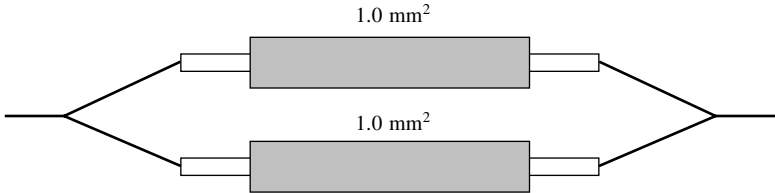


Figure A.6

The total resistance will be half of either one and would be the same as the resistance of a 2 mm² conductor. Hence resistance decreases if conductor cross sectional area increases.

Example

If the resistance of a 1.0 mm² conductor is 19.5 mΩ/m, what would be the resistance of:

1. 85 m of 1.0 mm² conductor
2. 1 m of 6.0 mm² conductor
3. 25 m of 4.0 mm² conductor
4. 12 m of 0.75 mm² conductor

Answers

1. 1.0 mm² is 19.5 mΩ/m, so, 85 m would be $19.5 \times 85/1000 = 1.65 \Omega$
2. A 6.0 mm² conductor would have a resistance 6 times less than a 1.0 mm² conductor, i.e. $19.5/6 = 3.35 \text{ m}\Omega$

3. 25 m of 4.0 mm² would be $19.5 \times 25/4 \times 1000 = 0.12 \Omega$
4. 12 m of 0.75 mm² would be $19.5 \times 12/0.75 \times 1000 = 0.312 \Omega$

Power, current and voltage

As we have already seen, at a basic level, power = current \times voltage, or $P = I \times V$. However, two other formulae can be produced: $P = I^2 \times R$ and $P = V^2/R$. Here are some examples of how these may be used.

1. A 3 kW 230 V immersion heater has ceased to work although fuses etc. are all intact. A test using a low resistance ohmmeter should reveal the heater's resistance, which can be determined from:

$$P = V^2/R$$

So, $R = V^2/P$

$$= \frac{230 \times 230}{3000} = \frac{52900}{3000} = 17.6 \text{ ohms}$$

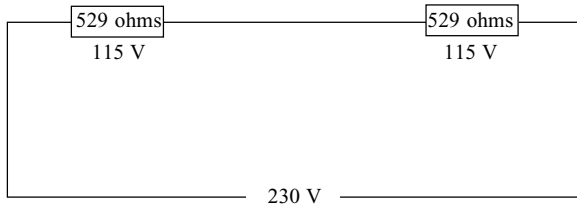
This can be compared with the manufacturer intended resistance. This would show that the element is not broken and further investigation should take place (probably a faulty thermostat).

2. Two lighting points have been wired, incorrectly, in series. The effect on the light output from two 100 W/230 V lamps connected to these points can be shown as follows:

Each lamp will have a resistance of $R = V^2/P$ (when hot)

$$= \frac{230 \times 230}{100} = \frac{52900}{100} = 529 \text{ ohms}$$

It will be seen that each lamp will have only 115 V as a supply. Hence each will deliver a power of $P = V^2/R$, giving



$$\frac{115 \times 115}{529} = 25 \text{ watts}$$

which is a quarter of its rated value, and so both lamps will be only a quarter of its intended brightness.

3. The current flowing in a 10 m length of 2.5 mm² twin cable is 12 A. The resistance of such cable is approximately 0.015 ohms per metre, so the power consumed by the cable would be:

$$\begin{aligned} P &= I^2 \times R \\ &= 12 \times 12 \times 0.015 \times 10 = 21.6 \text{ watts} \end{aligned}$$

Solutions

Quiz controller (Chapter 1)

Figure S1 shows a solution. Any contestant pushing his/her button energizes their corresponding relay, which is held on via contacts RA1, RB1 or RC1. Two sets of N/C contacts, located in each of the other contestants' circuits, will open, rendering those circuits inoperative. The system is returned to normal when the reset button is pushed, de-energizing the held-on relay.

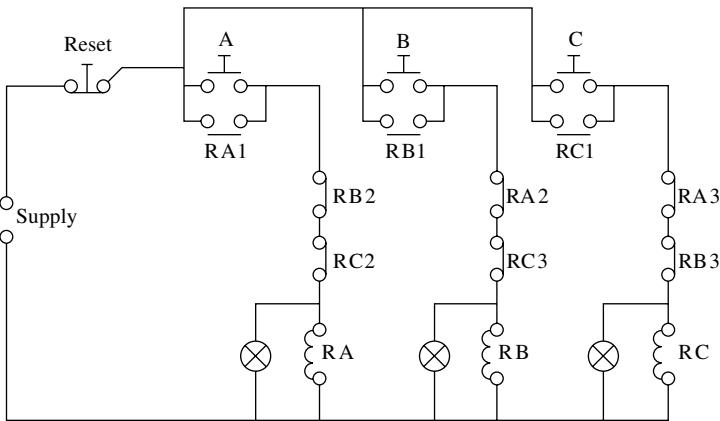
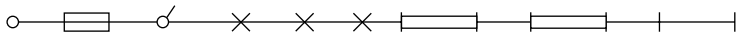
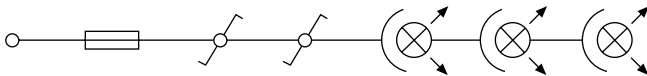


Figure S1

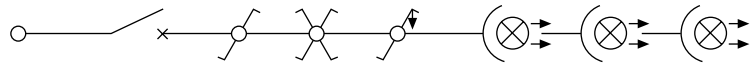
Drawing exercises (Chapter 1)



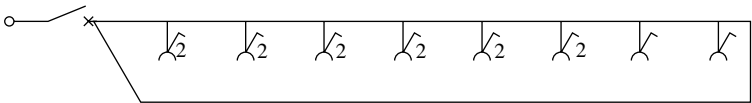
1. (a) Figure S2



(b) Figure S3

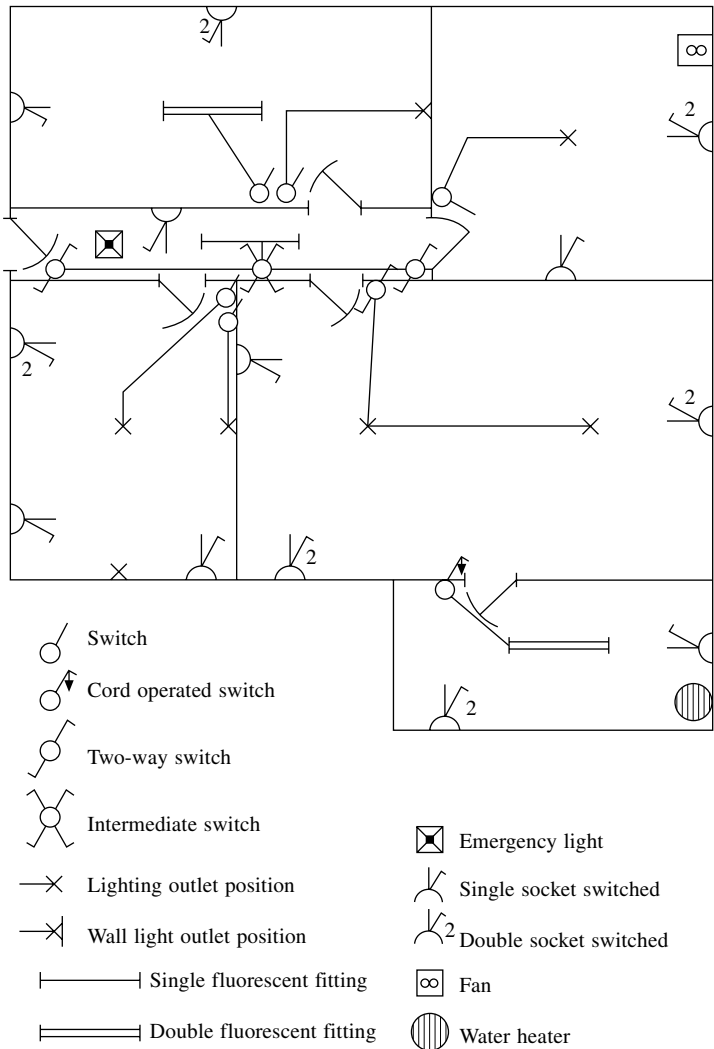


(c) Figure S4



(d) Figure S5

2. Figure S6



Index

Alarms, *see under* Security
Approved test lamps, 57

Block diagrams, 5
BS EN 60617 symbols, 1–4

Cable fault location, 88
Call systems, 41, 91
Care of instruments, 58
Central heating systems, 46, 92
Circuit convention, 8
Circuit diagrams, 6
Closed circuit system, 39

Continuity:
 of protective conductors, 60
 of ring conductors, 62

Diagrams, 5
Direct and indirect contact, 99
Direct-on-line starter, 44
Distribution systems, 27

Earth, 101
Earth electrode resistance, 77
Earth fault loop impedance, 73
Emergency lighting, 31, 90
Extra low voltage lighting, 50

Fault finding, 85
Fire alarm system, 37, 91
Functional testing, 74

Insulation resistance, 69
Interconnection diagram, 6

Ladder logic, 18–22

Maintained system, 31
Motor starter circuits, 44, 93
Murray loop test, 89

Non-maintained system, 34
Normally closed contacts, 10
Normally open contacts, 10

Open circuit system, 37
Overload current, 86

Polarity, 71
Programmable logic controllers, 18
Prospective short circuit, 83, 86

Radial circuits, 24
RCD testing, 81
Relay logic, 10

Index

- Residual current device, 58, 81
- Ring final circuits, 24
- Safe isolation, 104
- Security systems, 34, 91
- Selecting test instruments, 56
- Shock risk, 98
- Short circuit current, 83, 86
- Star-delta starter, 44
- Tamper loop, 41
- Telephone system, 53
- Testing, 56
- Wiring diagrams, 7
- Wiring systems, 24